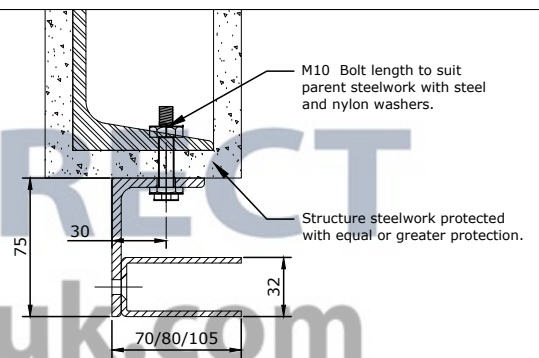
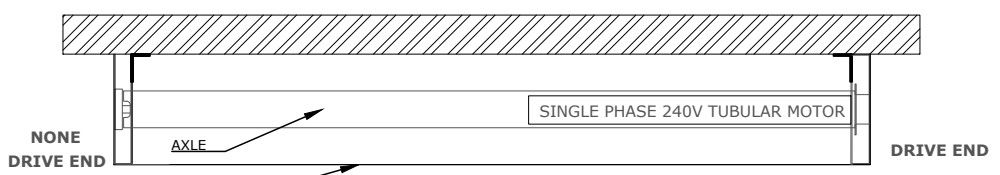
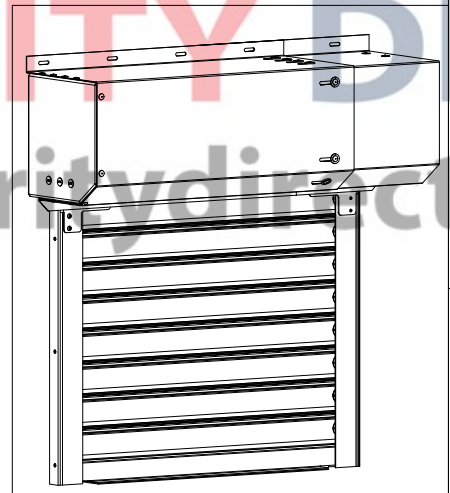


**FACE FIX INSET ANGLE TO MASONRY**



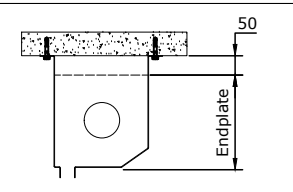
**FACE FIX INSET ANGLE TO STEELWORK**



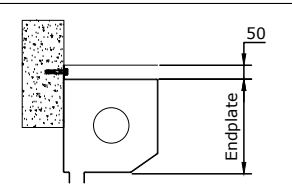
**PLAN THROUGH A-A**



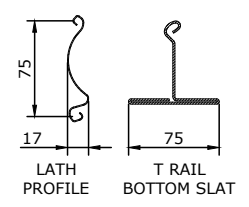
**PLAN THROUGH B-B**



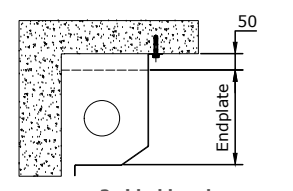
**2 sided hood with fascia**



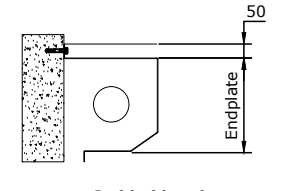
**3 sided hood with fascia**



**LATH PROFILE T RAIL BOTTOM SLAT**



**2 sided hood**



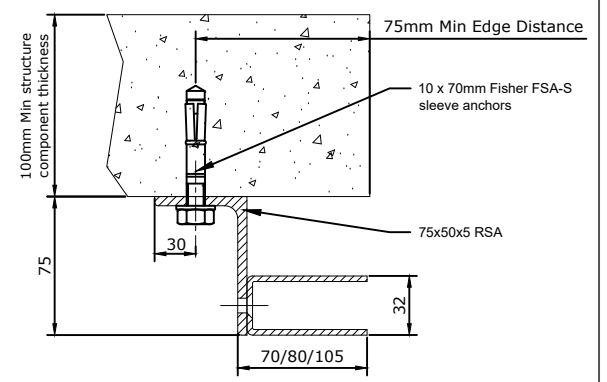
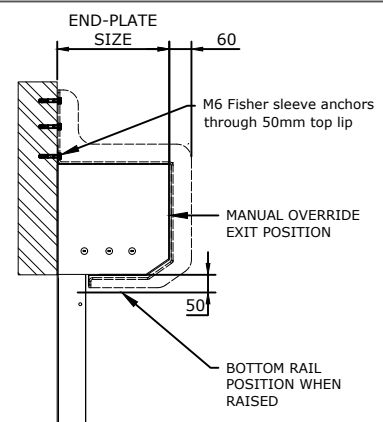
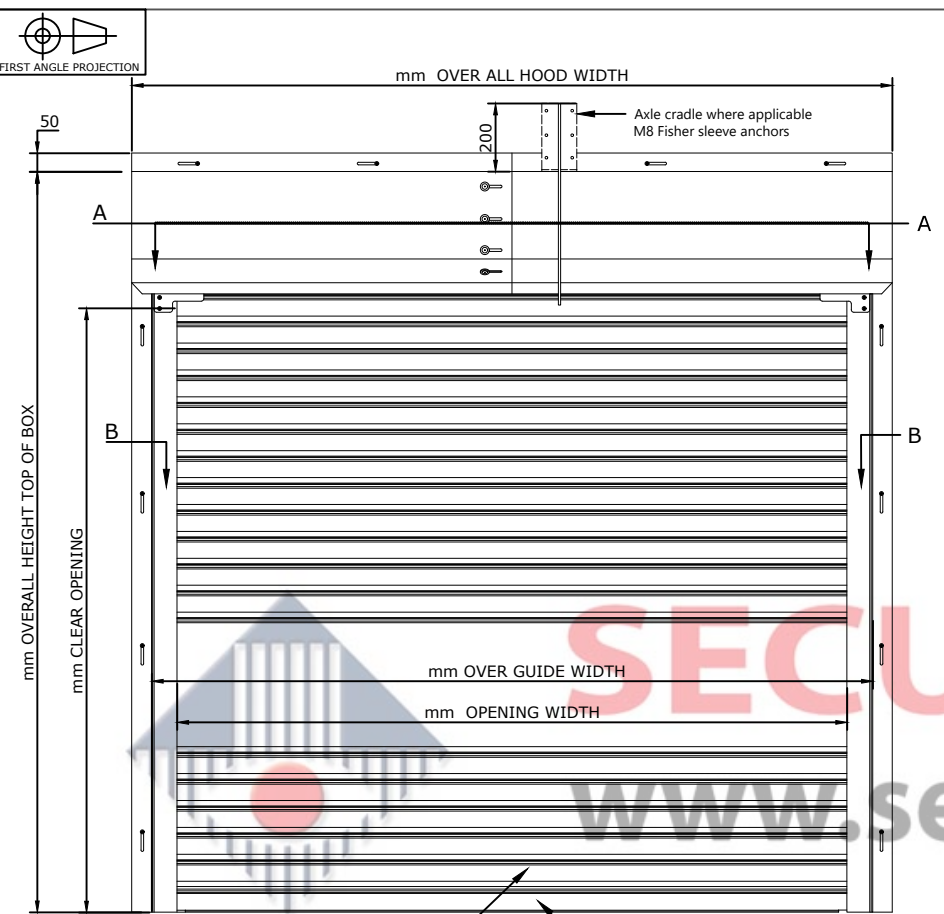
**3 sided hood**



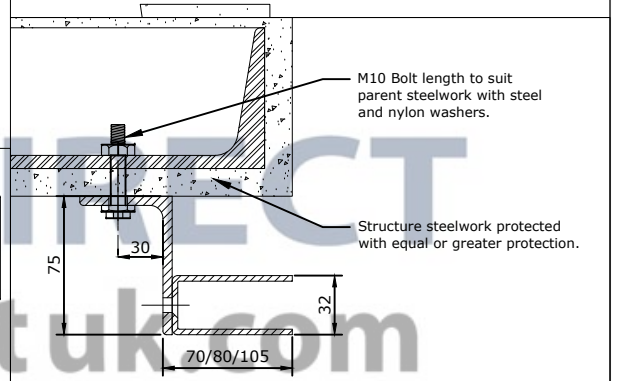
THIS DRAWING IS THE PROPERTY OF SECURITY DIRECT

<b>TITLE: Fire Shutter General Arrangement (Face Fix Inset Angle)</b>									
<b>MATERIAL:</b> Galvanised Mild Steel		<b>FINISH:</b> Powder coated (optional)		<b>DRAWN BY:</b> RH		<b>REV.:</b>		<b>REVISION</b>	
<b>SCALE:</b> N.T.S		<b>DATE:</b> 18/10/19		<b>DWG NO.:</b> FS-0001		<b>SIG.:</b>		<b>DATE</b>	
								<b>REV. 0</b>	

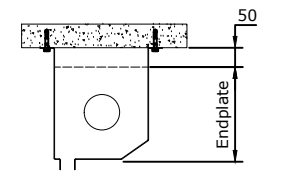
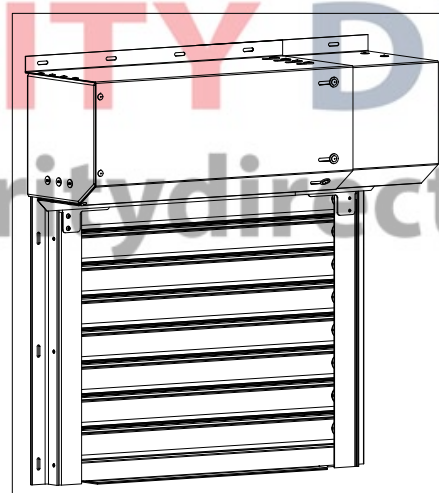
This Product has been tested to BS EN 16034:2014 & CE Marked to BS EN 13241-1:2003.



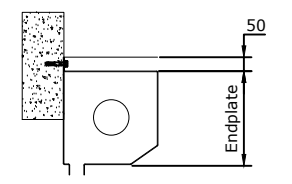
FACE FIX OFFSET ANGLE TO MASONRY



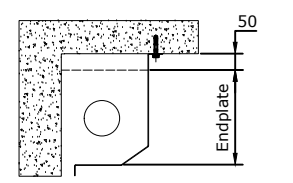
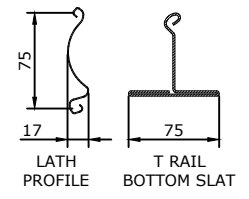
FACE FIX OFFSET ANGLE TO STEELWORK



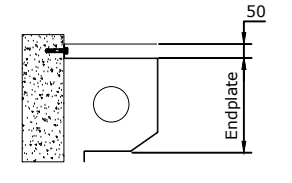
2 sided hood with fascia



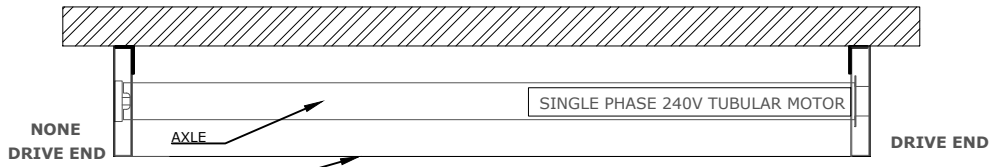
3 sided hood with fascia



2 sided hood




3 sided hood



PLAN THROUGH A-A

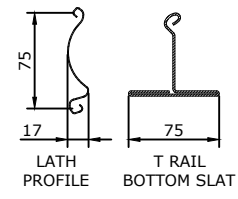
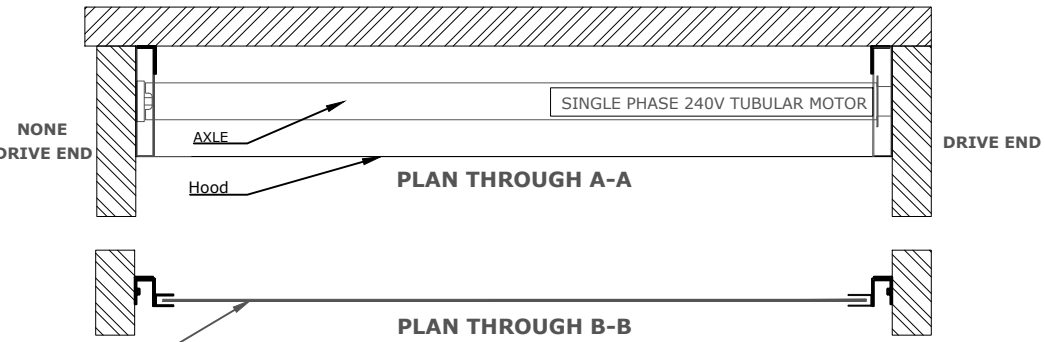
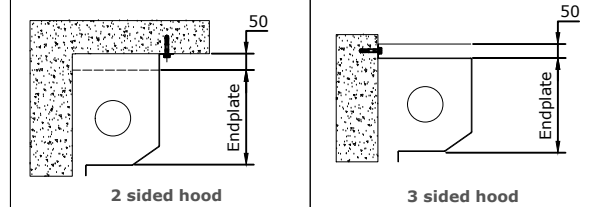
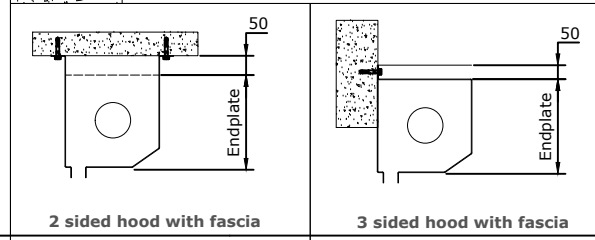
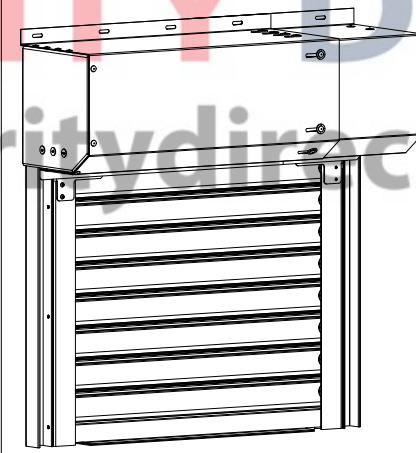
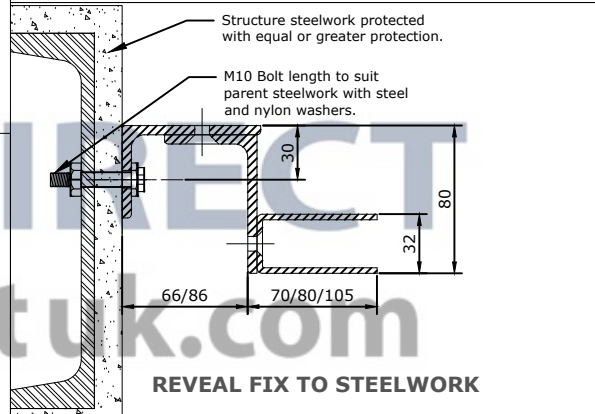
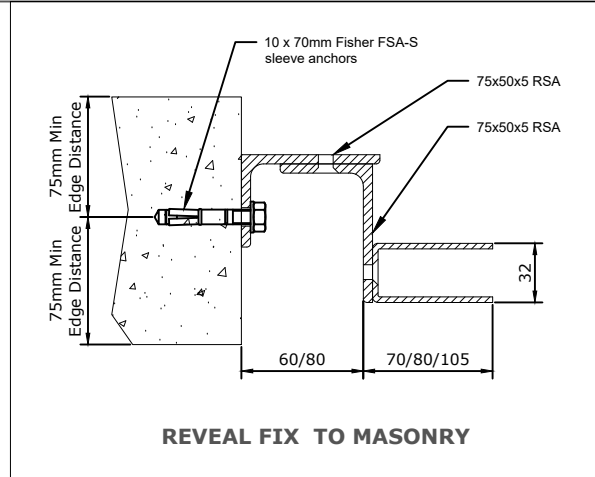
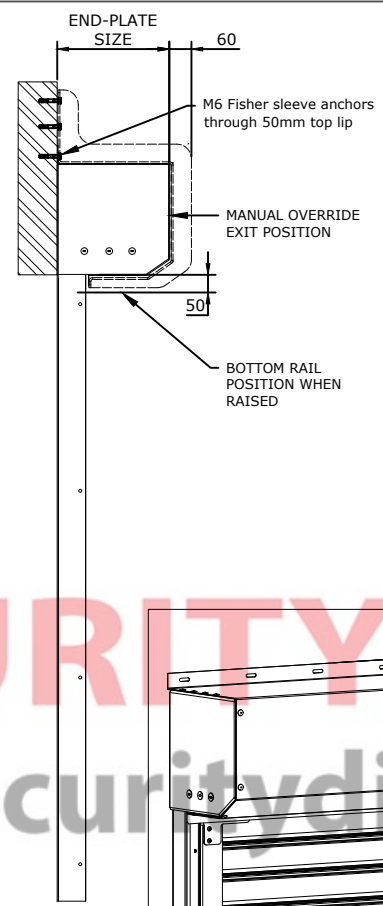
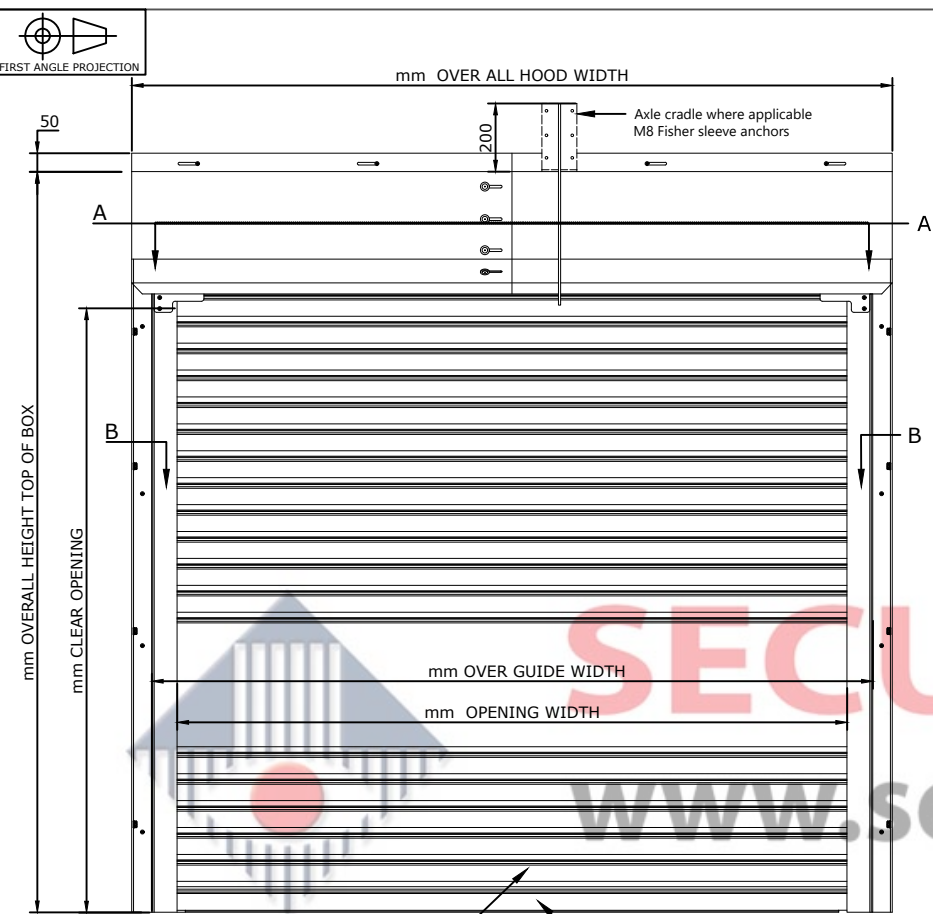



PLAN THROUGH B-B

 <b>SECURITY DIRECT</b> <a href="http://www.securitydirectuk.com">www.securitydirectuk.com</a>	<b>TITLE: Fire Shutter General Arrangement (Face Fix Offset Angle)</b>							
	MATERIAL: Galvanised Mild Steel							
	FINISH: Powder coated (optional)	DRAWN BY: RH	REV.	REVISION	SIG.	DATE		
	SCALE: N.T.S	DATE: 18/10/19	DWG NO.: FS-0002	REV. 0				

This Product has been tested to BS EN 16034:2014 & CE Marked to BS EN 13241-1:2003.

THIS DRAWING IS THE PROPERTY OF SECURITY DIRECT



 <b>SECURITY DIRECT</b> <a href="http://www.securitydirectuk.com">www.securitydirectuk.com</a>	<b>TITLE: Fire Shutter General Arrangement (Reveal Fix)</b>							
	MATERIAL: Galvanised Mild Steel							
	FINISH: Powder coated (optional)	DRAWN BY: RH	REV.	REVISION	SIG.	DATE		
	SCALE: N.T.S	DATE: 18/10/19	DWG NO.:	FS-0003	REV.	0		
THIS DRAWING IS THE PROPERTY OF SECURITY DIRECT								

This Product has been tested to BS EN 16034:2014 & CE Marked to BS EN 13241-1:2003.