

Folding sliding steel door FE „Teckentrup 50“

Double-skinned insulated

Text example

Compile and tender according to requirements.
Please refer to technical data below for respective details.
Updated 1st June 2015

| Position | No. of pieces | Item | Unit price € | Total price € |
|----------|---------------|---------------------------------------------------------------------------------------------------------------------------------------------------------------------------------------------------------------------------------------------------------------------------------------------------------------------------------------------------------------------------------------------------------------------------------------------------------------------------------------------------------------------------------------------------------------------------------------------|--------------|---------------|
| | | Folding sliding steel door FE "Teckentrup 50", double-skinned. PUR foam core. Four-leaf door, 3:1 coupled. Access door leaf DIN right. Door leaf made of 1 mm sheet steel, door leaf 50 mm thick, with vertically arranged rubber accident prevention profiles. Side frame made of square tube. Upper frame profile with guide rail (U-profile). Active leaf with salient bolt lock, prepared for profile cylinder and handle set. Locking of the rest of the door leaf via surface mounted basquill lock. The door leaves are coupled via two-piece hinges. "Teckentrup 50" or equivalent. | | |
| | | Ordering dimensions: modular dimensions: _____ mm wide and _____ mm high, no. of leaves _____, folding pattern _____, leaf opening 90°. Ordering details: wall and header thickness (concrete _____ mm/masonry _____ mm) Door opens outwards/inwards (seen from the fixing side of the door), headroom _____ mm (min. 90 mm), sideroom right _____ mm, left _____ mm. With/Without wicket door (integrated in the door leaf) | | |

Technical data

Product: folding sliding steel door FE "Teckentrup 50"

Installation in: Walls made of:

- Masonry
- Aerated concrete
- Concrete
- Steel constructions

Dimensions: Clear structural dimension
width: 2250 - 16000 mm
height: 2000 - 5000 mm

Leaf opening: Opening to the left and/or the right 90° (180°)

Door leaf: Door leaf consisting of box-shaped canted steel sheets with surrounding profile for the GUP made of EPDM. With upper and lower leaf seal and assembly profile.

- Insulation: PUR foam core
Surface: powder coated similar to RAL 9016
Alternatively:
- Insulation: *bonded* mineral wool
Sheet thickness: 1.0 mm galvanized
Surface: powder coated similar to RAL 9016
- Insulation: mineral wool
Sheet thickness: 1.5 mm galvanized
Surface: galvanized natural

Special equipment: sheet:

- PUR foam core 1.0 mm
- bonded mineral wool 1.5 mm
- mineral wool 1.75 mm

Leaf thickness: 50 mm

Door frame: side frame made of square tube 50 x 90 mm. Upper frame profile with guide rail (U-profile) and release layer. At the bottom with threshold. Special equipment: without bottom threshold possible. (If leaf coupling ≥ 4 leaves per side e.g. 4:1 a bottom threshold is mandatory - with extensive glazing on request)

Surface: door leaf and frame galvanized and prime coated similar to RAL 9016 (Traffic white)

- Optionally 2K-PUR primed in **RAL on choice**

Fittings:

- Two-piece three roller steel hinges with ball bearings (galvanized)
- Guide rails with ball-bear plastic roller
- Surface mounted basquill lock inside, prepared for profile cylinder and handle set (black) on the outside for access door leaf version
- Wicket door with mortice lock
- Mounted folding door basquill with locking rod Ø 10 + □ 16 mm with separate handle
- Leaf hold open device
- Door handles (aluminium/black)

Glazing:

- Laminated safety glass 6 mm thick
- plastic double glazing 18 mm thick (only aluminium frame)
- Double laminated safety insulation glass (VSG/VSG) 21 mm thick; (with alu clamping strips or rubber clamping profile)

Special equipment:

- Steel hinges black (matt) \ stainless steel
- Door hold open device/ rubber pads between the leaves
- Sectioned active leaf incl. rabbet seal, also with panic function
- Wicket door with and without threshold, incl. rabbet seal
- Wicket doors **with threshold** are not permitted for emergency exits. Wicket door always in middle end leaf.
- Panic lock only for
 - wicket door **without threshold**
 - with panic bar handle in acc. with DIN EN 1125
 - with handle set in acc. with DIN EN 179

Caution- observe required space for the handle set!

- Venting slots
- Rain guard
- **Folding door with lock for fire brigade** folding pattern 2:2
- **Drive with deadman control**
Overall frame dimension-width: 2250 - 4500 mm
Clear structural dimension-height: 2550 - 4500 mm
Control with automatic function for folding door with drive in accordance with EN 12453

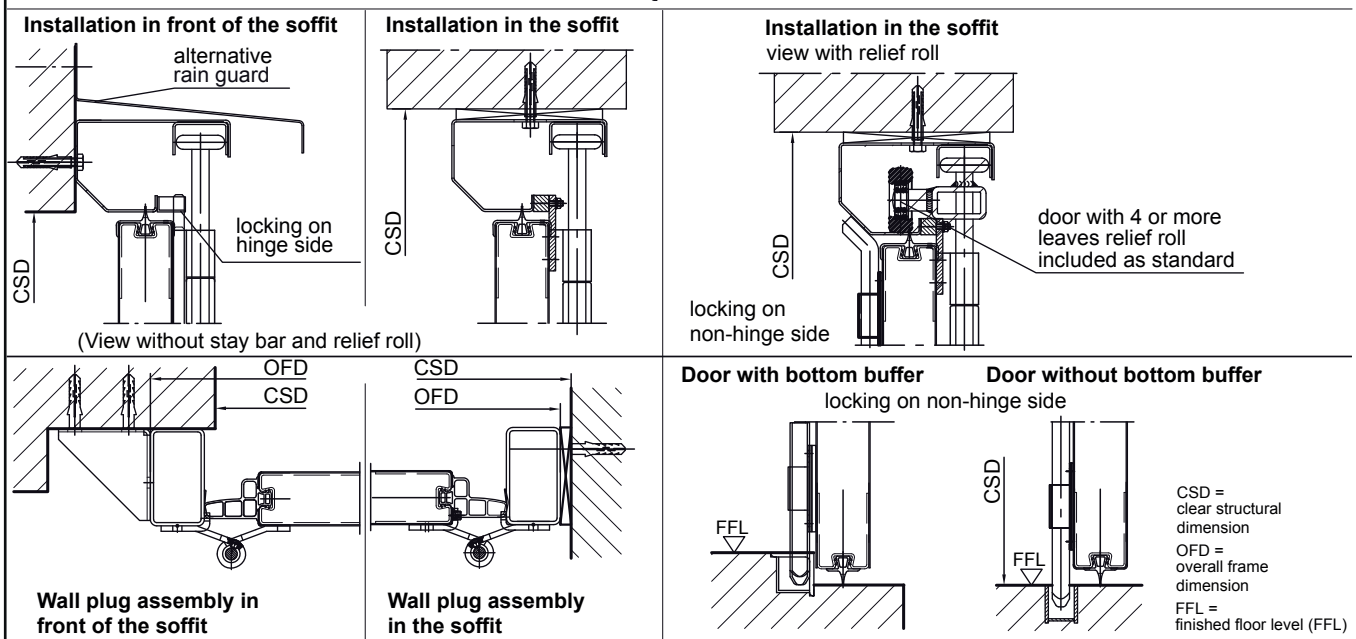
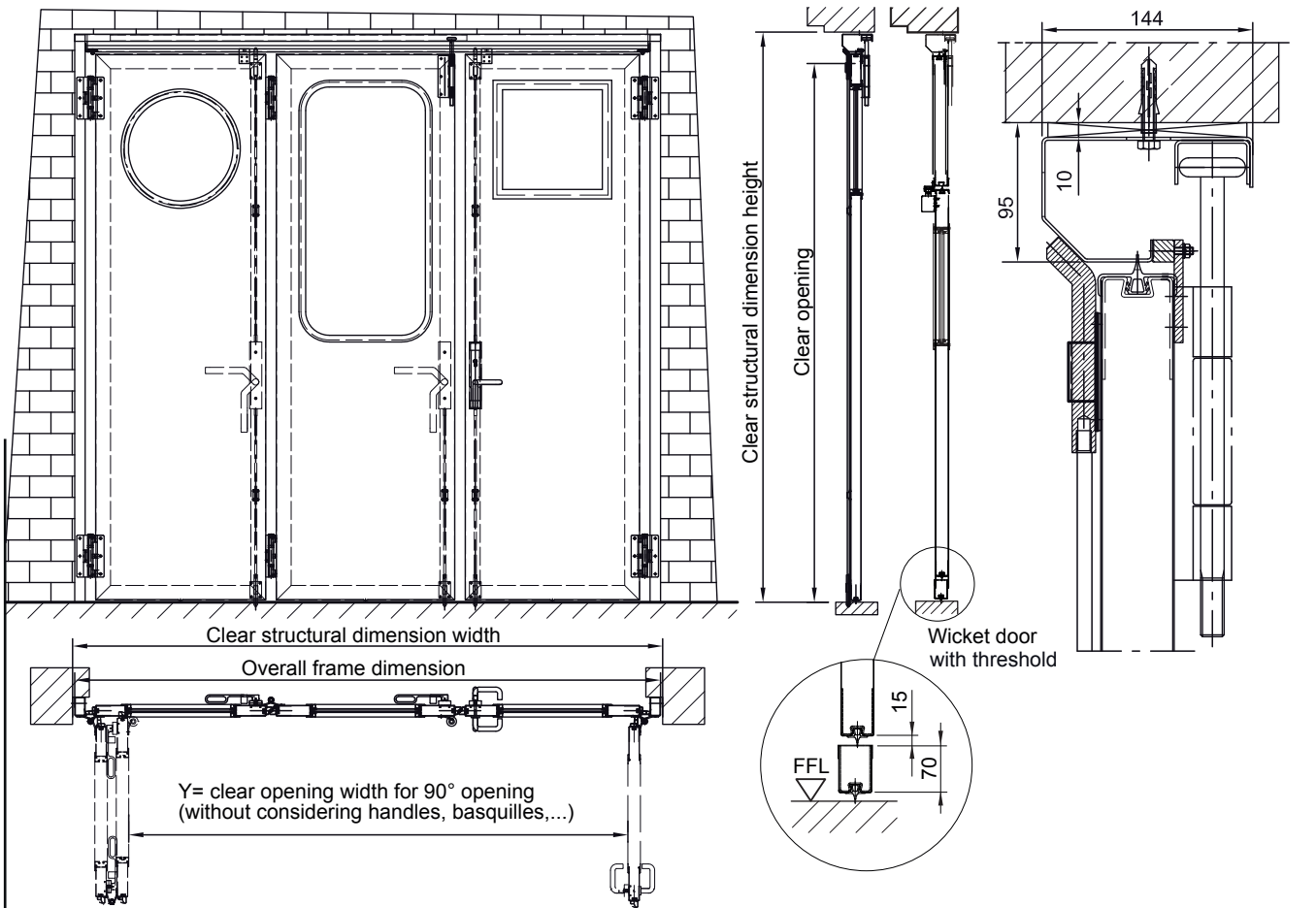
Safety standard and performance classes as per DIN EN 13241-1: Test item folding door (3480 x 3550 mm) opening outwards with bottom threshold

- Wind resistance **class 4** (classification DIN EN 12424) (tested with 2500 Pa)
- Air permeability (testing according to EN 12427 classification according to EN 12426) **class 4**
- Resistance against ingressing water (testing according to EN 12489, classification according EN 12425) **class 3**
- Sound insulation (ISO 717-7) max. Rw = **32 dB** (mineral wool infill)
- Heat insulation DU-value (measured according EN ISO 12567-1, testing according DIN EN 12428) U_D = 1.9 W/m²k (PU-foam infill)

Folding sliding steel door

FE „Teckentrup 50“

Double-skinned insulated



Examples of glazing division, further divisions possible

