



# Steel Door Louvred Panels

Suitable for Internal and External Use



**SECURITYDIRECT**  
ROLLER SHUTTERS • INDUSTRIAL DOORS • STEEL DOORS • SECURITY GRILLES

Designed to increase airflow in areas that need efficient ventilation, our steel louvre side and top panels offer a simple, flexible solution that does not compromise security or structural integrity. Manufactured from galvanised steel, these panels have options for bird or insect mesh and can produce up to 50% free air flow in a standard configuration.

## Designed to increase airflow in areas that need efficient ventilation



### Application

Suitable for use in areas that need consistent, high levels of ventilation, including plant and boiler rooms, computer rooms, store rooms, manufacturing and leisure facilities.

### Construction

Frame and blades consist of corrosion resistant steel/galvaneal. Bird and insect mesh available. 50% free air flow in standard configuration. Fully louvre aluminium door-sets and panels also available.

### Finish

Supplied inclusive of a powder coated finish in a standard colour. Full range of RAL and BS colours including marine grade as extra. Fire-rated louvres available - Speak with our steel door experts to find out more.

### Louvre door panel standard sizes

Max size is 1500mm in one direction and 2990mm in the other – this can apply to either width or height

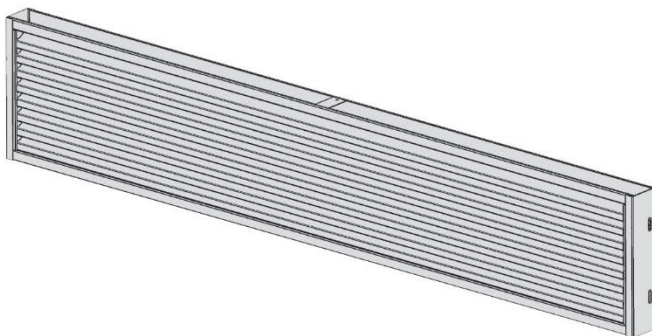
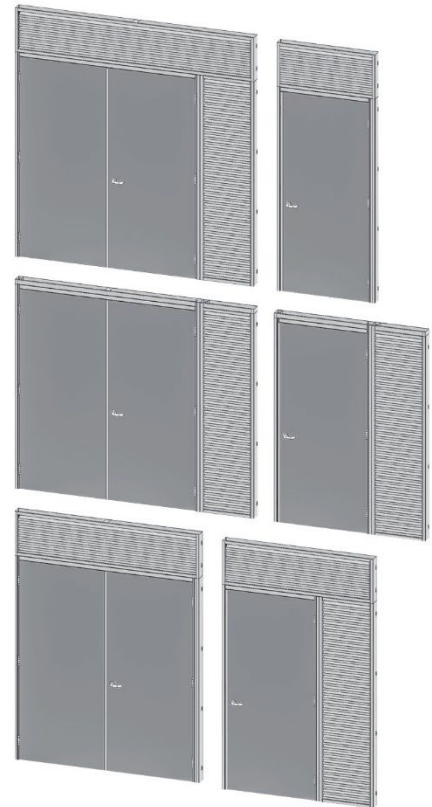
### Side and over panels

Louved side and top panels are available, including removable and hinged solutions.

### Insect Mesh

Additional insect mesh can be added to deter insects/small objects from travelling through the louvre, however this will decrease your free area to 30-36%.

Please note: Insect mesh is non fire-rated.





### Standard Steel Louvre

Both the frame and blades of our standard louvre panels are made from 18GA IZ steel.

Free area: 35% dependent on overall size.  
30-35% estimated when using insect mesh.

Louvre sizes made to suit customer requirements.

Most popular sizes include:

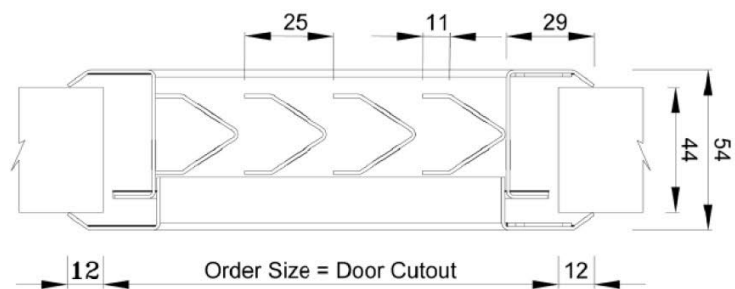
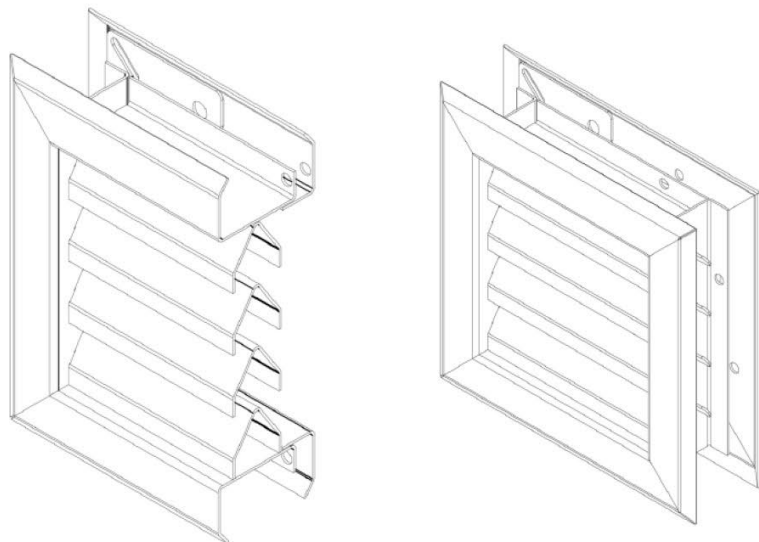
457 x 457mm

254 x 762mm

305 x 305mm

If you require an alternative size to the above, speak with our steel door experts to discuss the bespoke sizes available.

\*All dimensions shown in imagery are in mm.



**PAS 24 Rated Steel Louvre**

Both the frame and blades of our standard louvre panels are made from 18GA IZ steel.

Free area: 27% dependent on overall size.

Louvre sizes made to suit customer requirements.

Most popular sizes include:

457 x 457mm

254 x 762mm

305 x 305mm

If you require an alternative size to the above, speak with our steel door experts to discuss the bespoke sizes available.

\*All dimensions shown in imagery are in mm.

