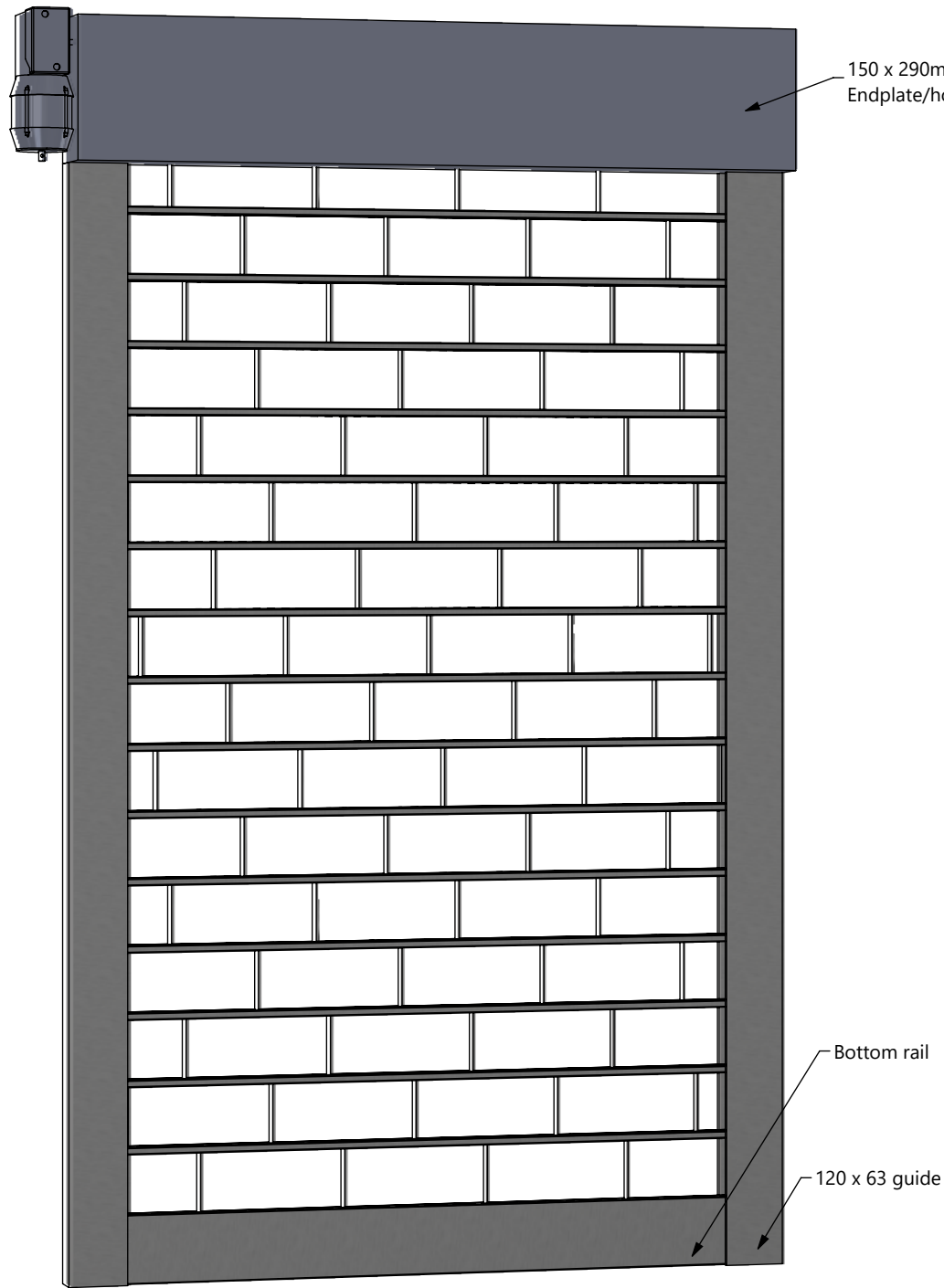
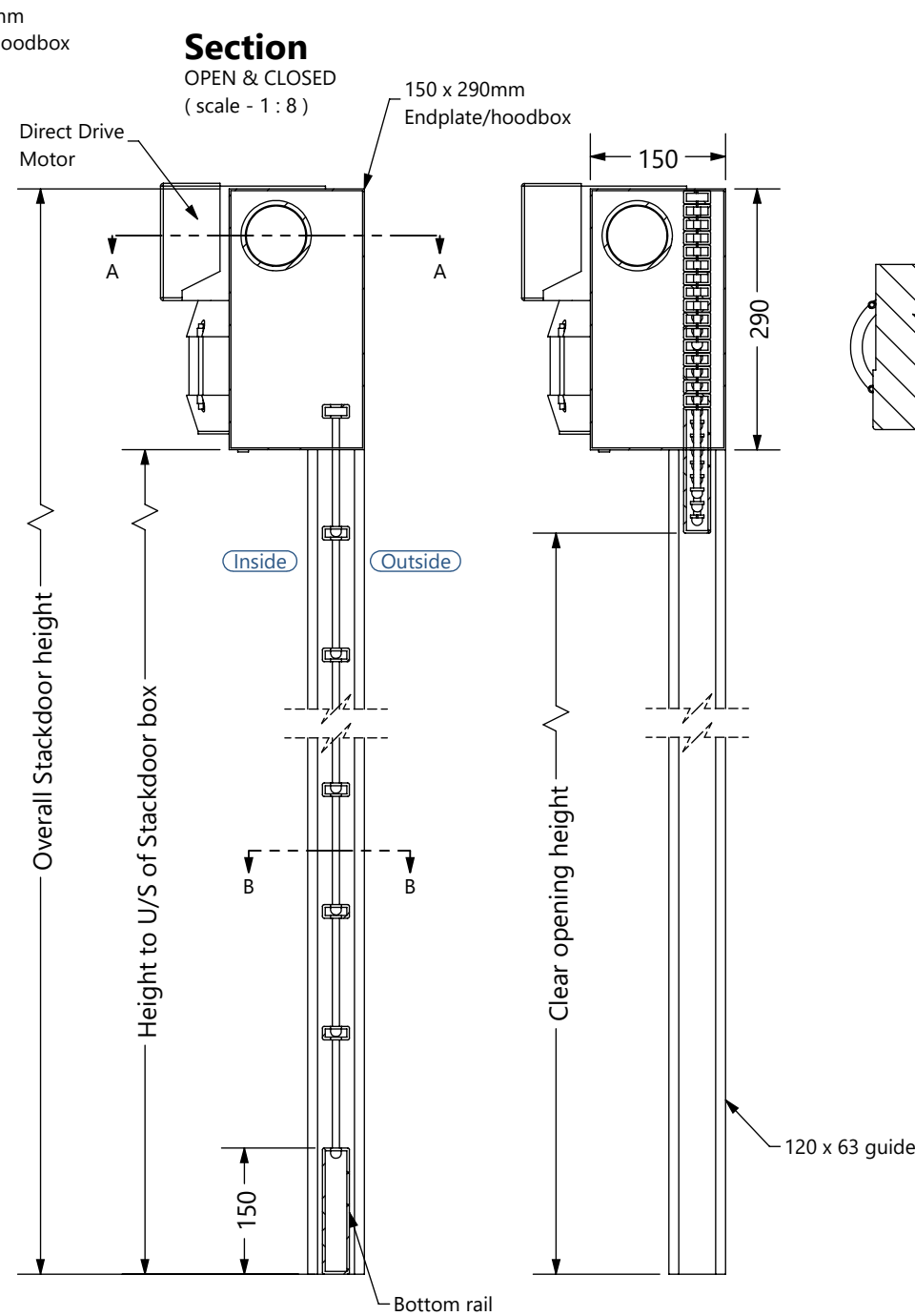


Elevation
(scale - N.T.S)

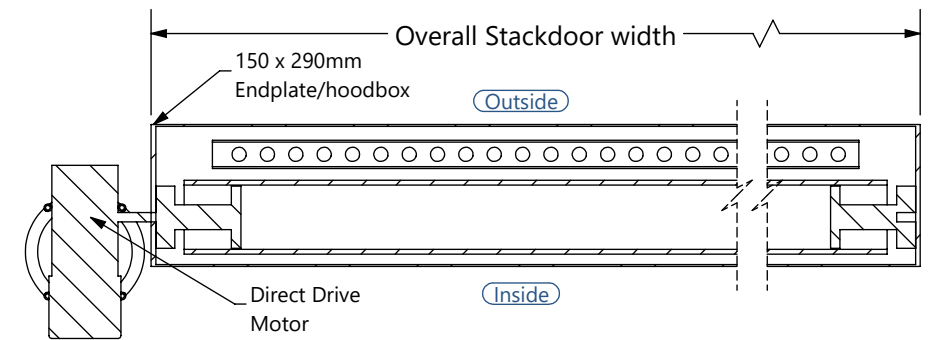


STANDARD STACKDOOR - Direct Drive

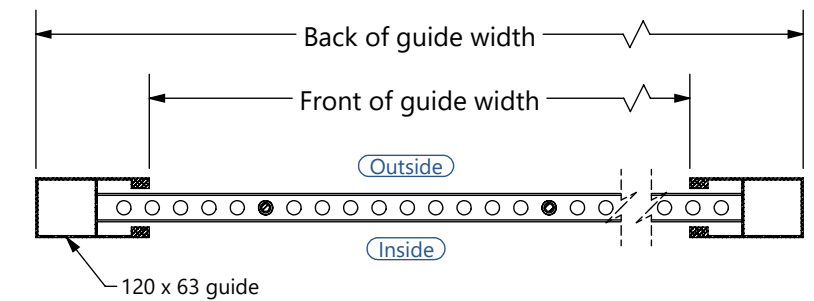
Section
OPEN & CLOSED
(scale - 1 : 8)



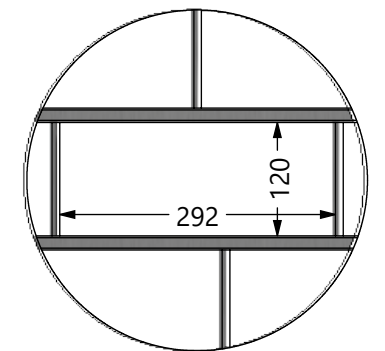
Plan through: A-A
(scale - 1 : 8)



Plan through: B-B
(scale - 1 : 8)



STACKDOOR
Provides clear openings of
292 x 120



NOTES: This drawing is copyright and must not be reproduced whole or in part without prior written consent.



DRAWN BY:
BM
CHECKED BY:
--
APPROVED BY:
RM

REVISIONS:
A - Initial Issue - 11/07/2018 - BM
B - - -
C - - -
D - - -
E - - -
F - - -
G - - -
H - - -
I - - -
J - - -
K - - -

PROJECT:
Standard StackDoor - Direct Drive
DRAWING TITLE:
WORKING DRAWING - security shutter detail
to suit:

SCALE: 1:10 @ A3
Projection: first angle
DATE: 11/07/2018
PROJECT NO: SD-STD
DRAWING NO: 111 A