

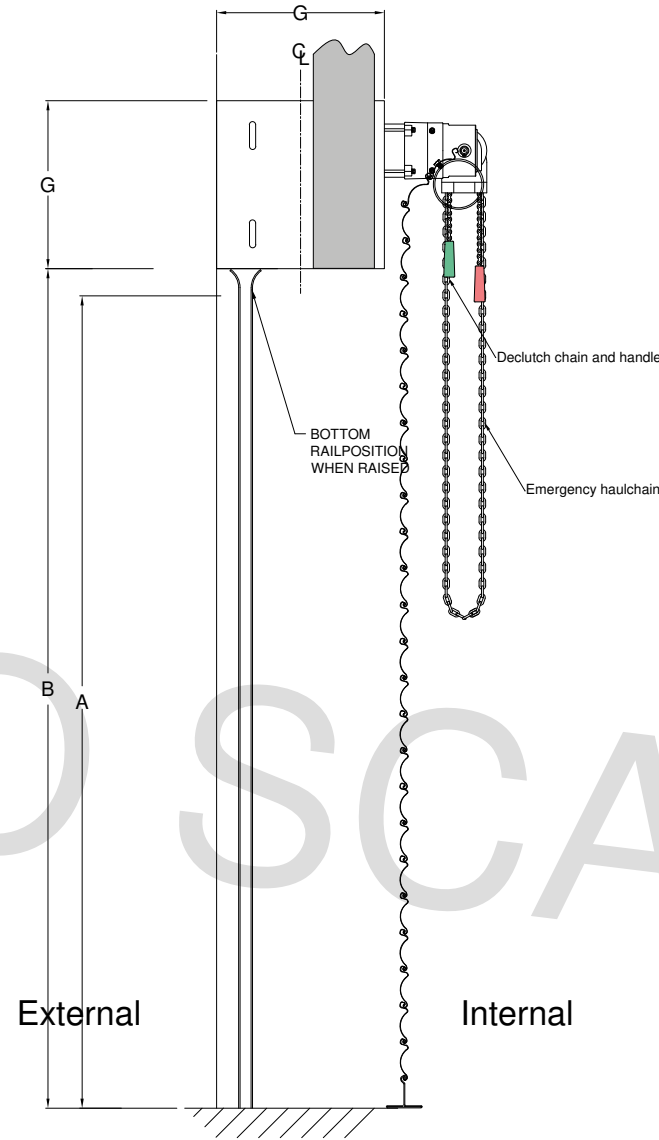
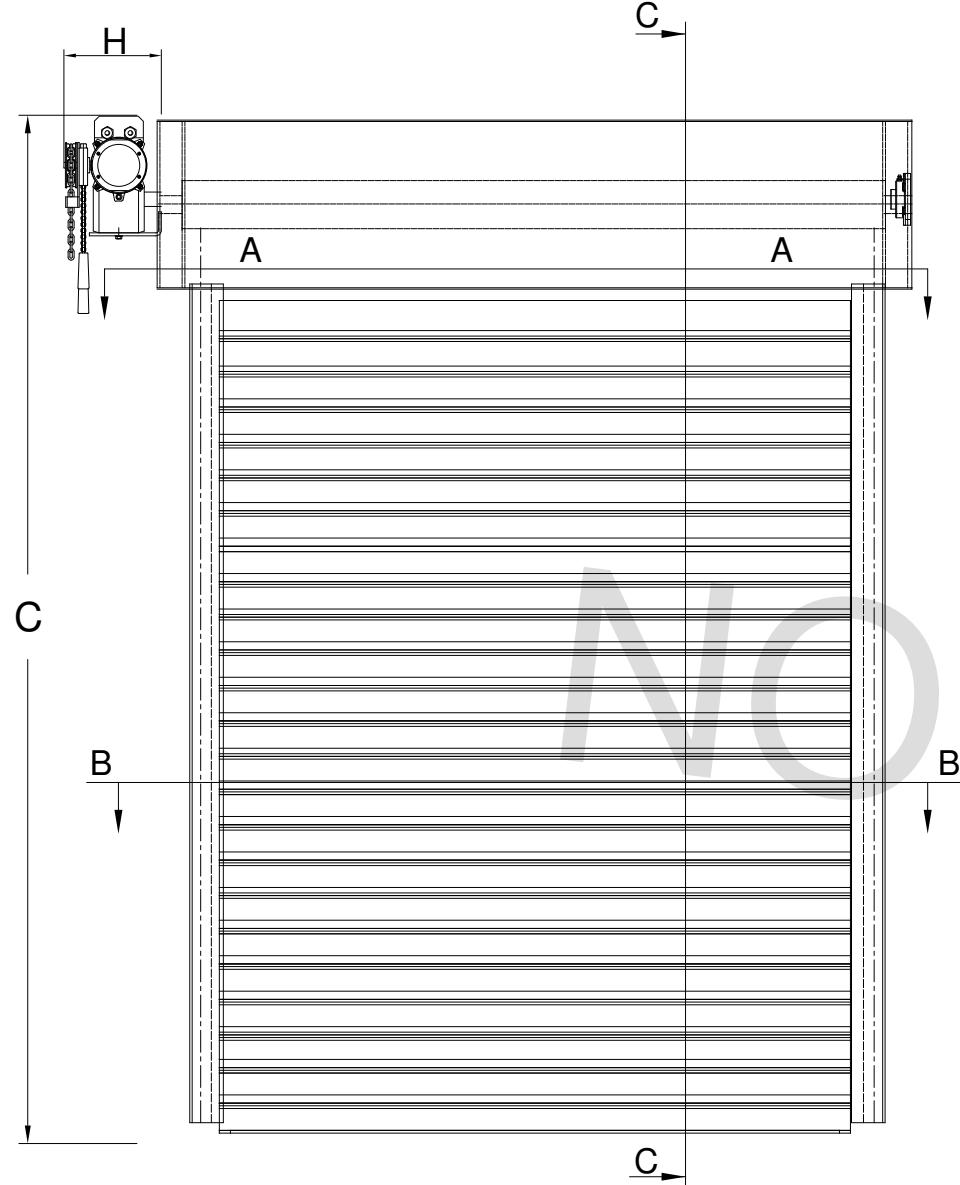
GENERAL DRAWING

ALL DIMENSIONS IN mm
UNLESS OTHERWISE STATED
GENERAL TOLERANCES:
LINEAR +/- 3
ANGULAR +/- 1

FIRST ANGLE PROJECTION

A3 TITLEBLOCK
EXTERNAL SIZE 410mm x 290mm

Front elevation coil side
For lath and guide size, see details.



Dimension	Description	Size (mm)
A	Clear opening height	5000
B	Height to underside of endplate	5050
C	Overall product height	5450
D	Clear opening width	4000
E	Back of guide width	4140
G	Box size	400
J	Lower lath solid section	N/A
K	Vision section	N/A
L	Slope offset	N/A

Specification

Drive

GfA SI63 25.15 - GA25/15GD Safedrive© 3 Phase Motor - Standard
Safety brake not required with this configuration.

Override: Chain operation

Power Requirements: 3 x 230/400 50HZ, **IP Rating:** IP65, **Amperage:** 3,1 / 1,8A, **RPM:** 15, **Opening/closing time:** 1 seconds

Shutter application

Door

Guide channel

65 Wind

Control

TS959 (3 Phase) Controller

Canopy

Hood: 3 sided standard lip hood

Fascia: 1 sided standard lip fascia

MotorCover: Folded motor cover. Powder coating available.

EndPlateSleeve: Folded endplate sleeve. Powder coating available.

Colour

GALV: Plain Galvanised Finish (GALV) – Self Finished

Fitting

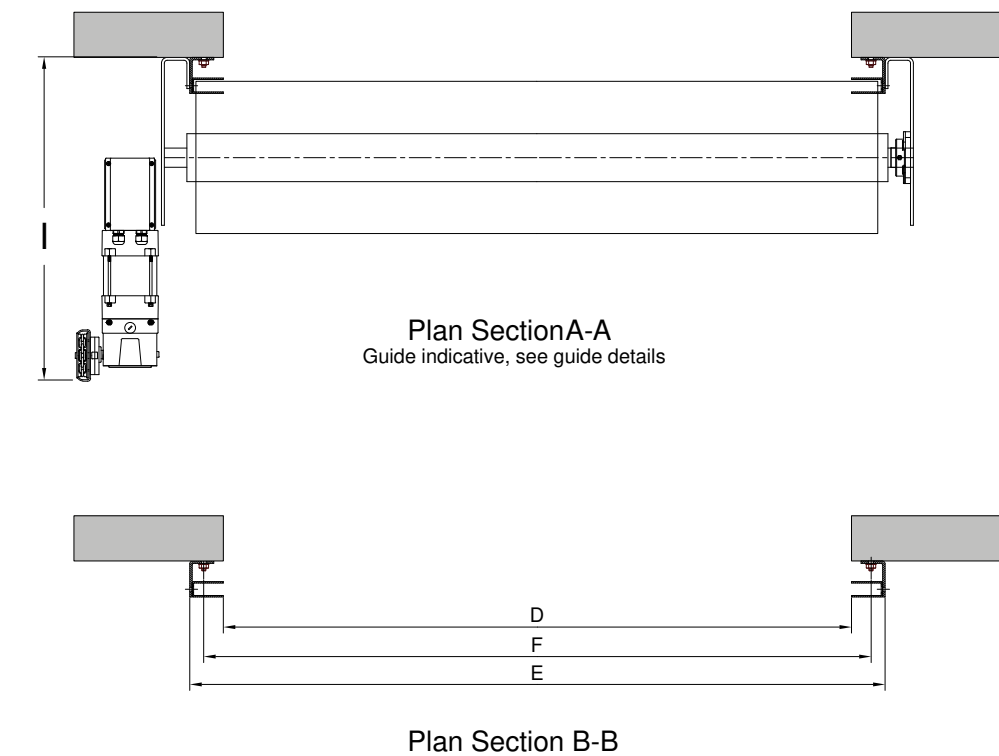
Internal

Bottom rail

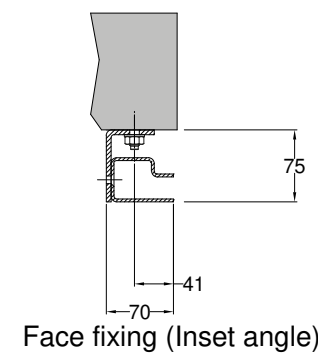
Standard T rail

Curtain lath

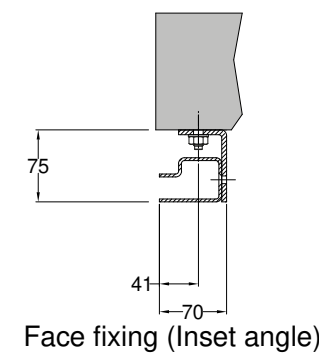
Solid 75mm 22g Lath



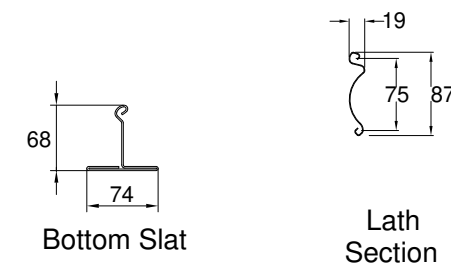
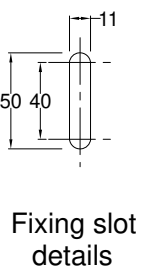
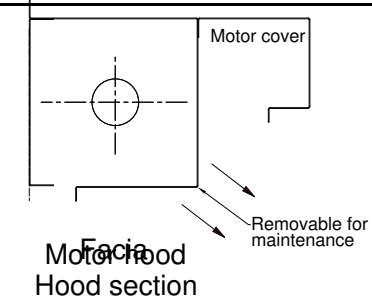
Left guide detail



Right guide detail



Section C-C



THIS DRAWING IS THE PROPERTY OF SECURITY DIRECT
Please note that these drawings and information may not contain the full details required for installation and thus to be use in conjunction with installation instructions. SWS UK reserves the right to modify the design and change specifications without notice.

TITLE:	Industrial Shutter General Arrangement		
SCALE:	N.T.S	DRAWN BY:	RH