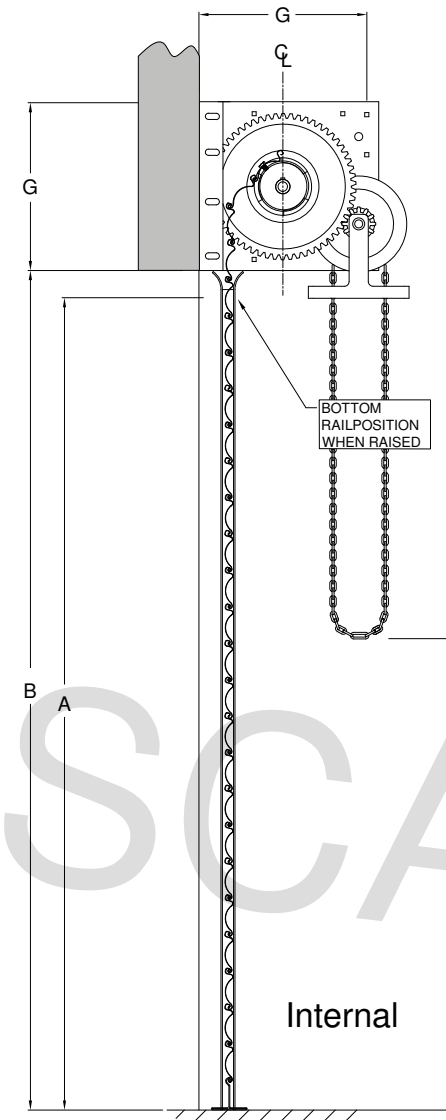
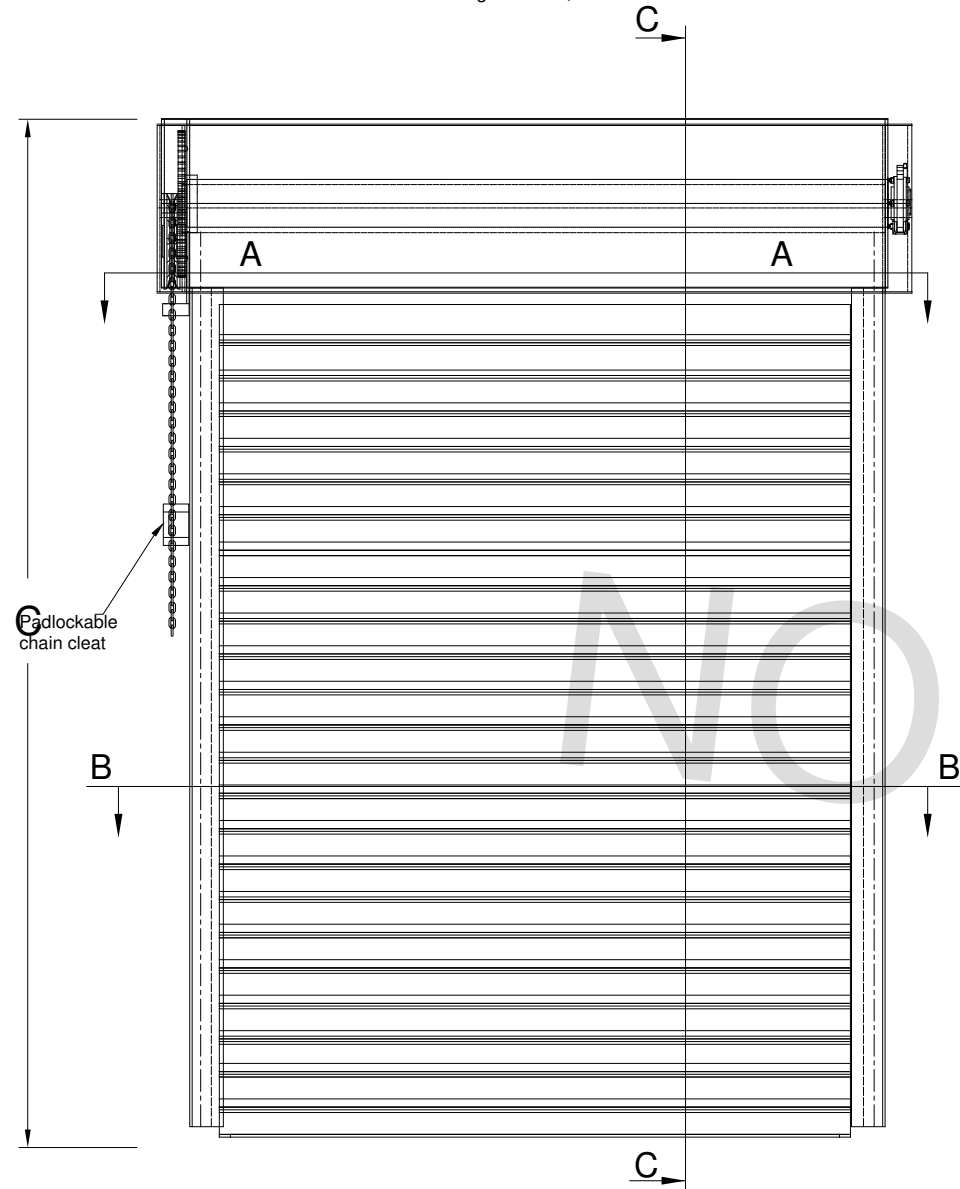


Front elevation coil side
For lath and guide size, see details.



External

Internal

Section C-C

Dimension	Description	Size (mm)
A	Clear opening height	5000
B	Height to underside of endplate	5050
C	Overall product height	5450
D	Clear opening width	4000
E	Back of guide width	4140
G	Box size	400
J	Lower lath solid section	N/A
K	Vision section	N/A
L	Slope offset	N/A

Specification

Drive

Spring No.235 - Standard
Safety brake included with this configuration.

Shutter application

Door

Guide channel

65 Wind

Control

N/A

Canopy

Hood: No hood

Fascia: No fascia

EndPlateSleeve: No endplate sleeve

Colour

GALV: Plain Galvanised Finish (GALV) – Self Finished

Fitting

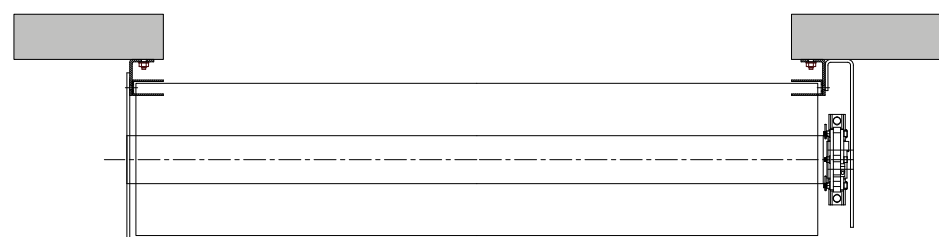
Internal

Bottom rail

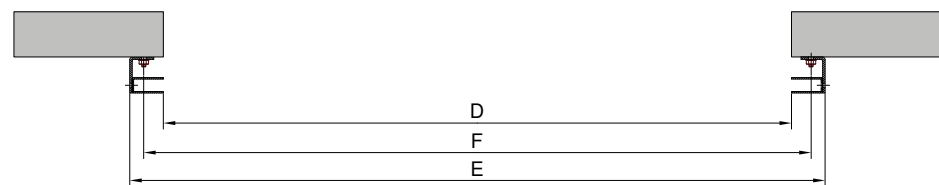
Standard T rail

Curtain lath

Solid 75mm 22g Lath

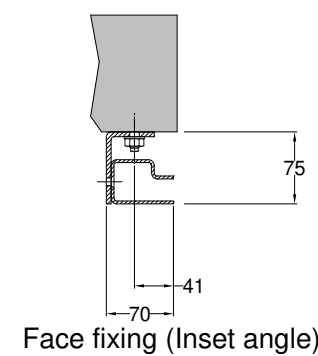


Plan Section A-A
Guide indicative, see guide details

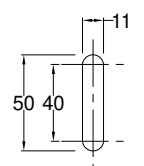
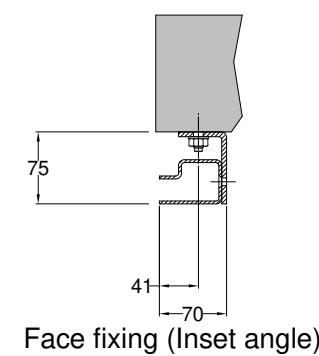


Plan Section B-B

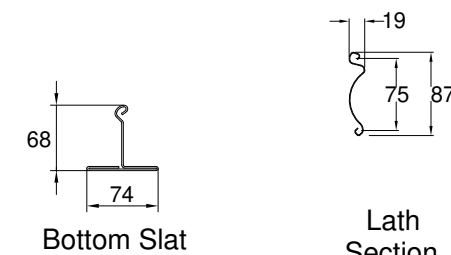
Left guide detail



Right guide detail



Fixing slot details



Bottom Slat

Lath Section



THIS DRAWING IS THE PROPERTY OF SECURITY DIRECT
Please note that these drawings and information may not contain the full details required for installation and thus to be use in conjunction with installation instructions. SWS UK reserves the right to modify the design and change specifications without notice.

TITLE: Industrial Shutter General Arrangement

SCALE: N.T.S DRAWN BY: RH