



**Security Direct**  
property protection

- Large Product Range
- Competitive Prices
- 25 years Experience

## Fire Exit Door Security Grille



**SECURITYDIRECT**  
Specialist Security Solutions

# Fire Exit Grille - CS80



## Key Benefits

- Fire Exit Doors
- Retractable Security Grille
- Internally Fixed
- Medium to High Security
- No Top and Bottom Tracks
- Hinges 90 degrees flat to the wall as standard
- Keyless Thumbturn Lock
- Double Diamond Lattice Design
- Powder Coated White as standard
- Stocked Product - 2-3 Day Delivery

# Fire Exit Grille - CS80



## Product Overview

### Description

The CS80 Fire Exit Door grille has been specially designed for vulnerable Fire Exit Doors. Fire Exit Doors are usually very vulnerable as they usually have a push bar on the inside, that override the locking. This is easily overcome from the outside by thieves and is often overlooked as a vulnerable entry point. The CS80 Fire Exit Grille can also be used to prevent unauthorised access, when the door is open for ventilation.

### Common use

Fire Exit Door

### Maximum Width

1650mm

### Maximum Height

2000mm

### Weight

20kgs m/2

### Standard Finish

Powder Coated White RAL9016.

### Lead Time

2-3 Days (subject to change)

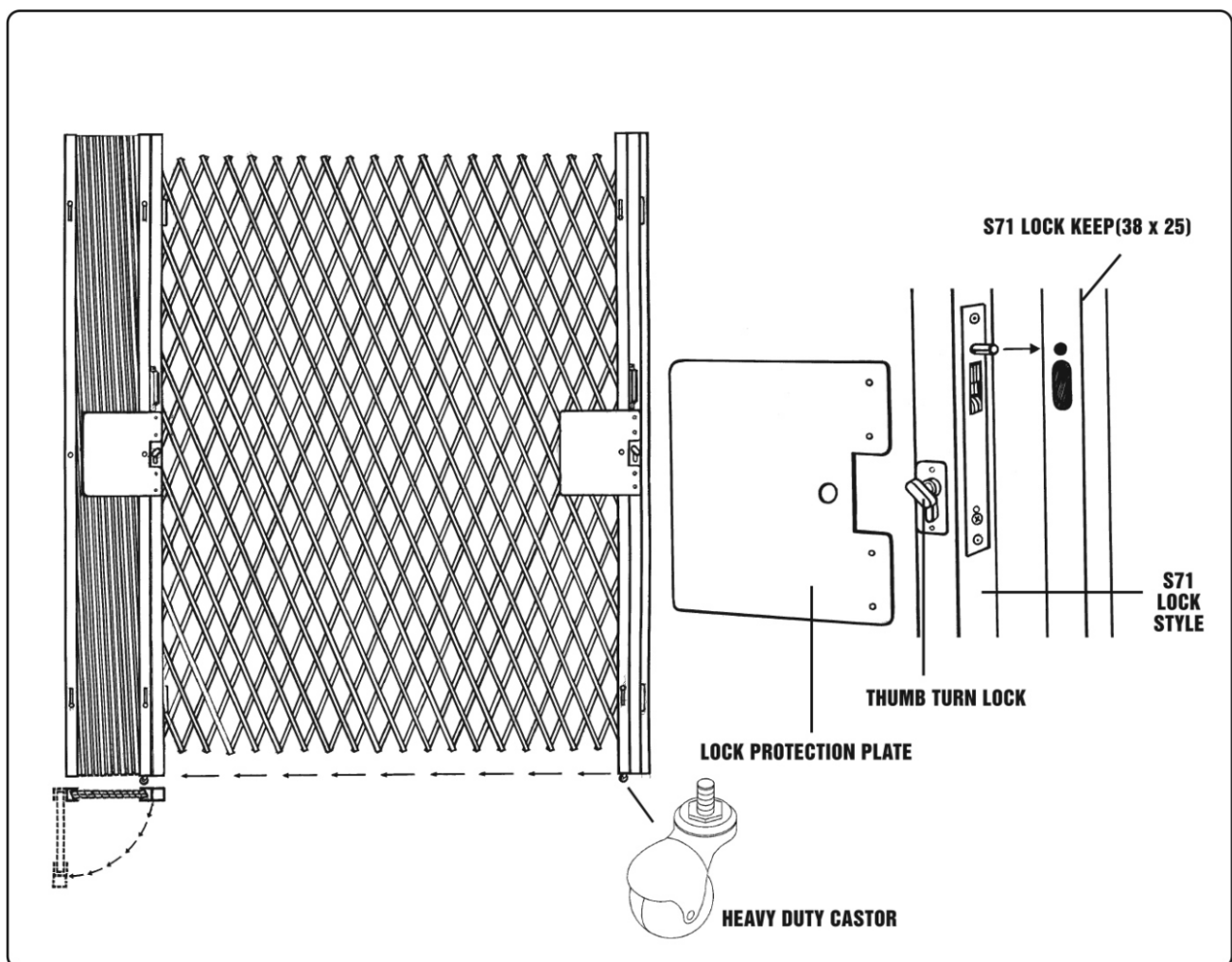


# Fire Exit Grille - CS80

## Specification

### Double Stack Options

The Cs80 Fire Exit Door grilles are ideal on fire escapes or any area or doorway where it is necessary to be able to lock from one side with a key and be able to open from the other side with a thumb turn.



# Fire Exit Grille - CS80

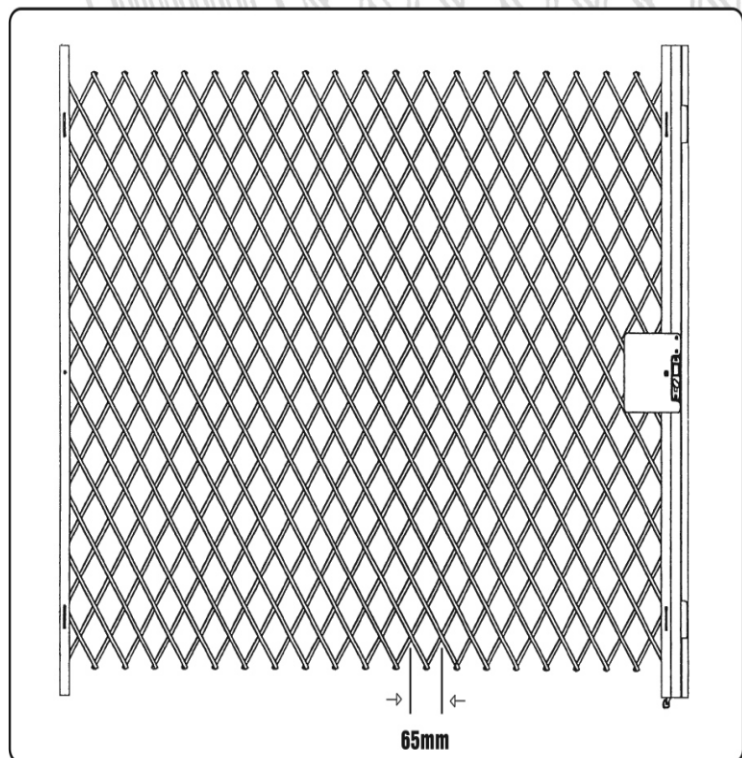


## Specification

### SINGLE DOOR OPENINGS

Cs80 Fire Exit Door Grilles are designed to be easily fitted by any DIY person. However with the use of the various components, these installations can be made far more secure and effective.

Cs80 Grilles are supplied with a 2 part locking post with a built in lock, which can be fitted on the left or right, inside or outside of any opening.



### DOOR OPENINGS

CS80 Doors come in a range of 3 sizes to fit openings from 1010mm wide to 1650mm wide in a single span.

These doors are simple to fit and can be folded out of the way so as not to obstruct the access through the doorway.

# Fire Exit Grille - CS80



## Specification

