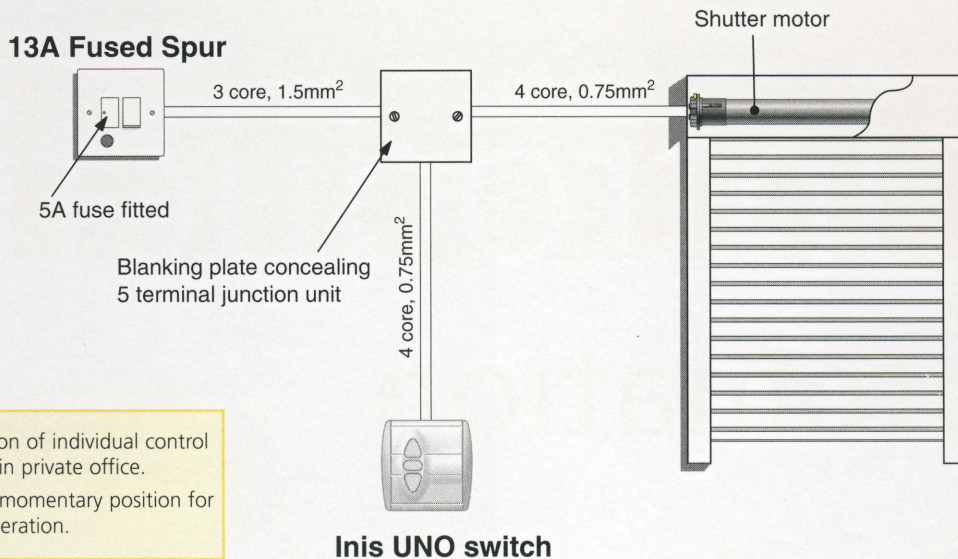


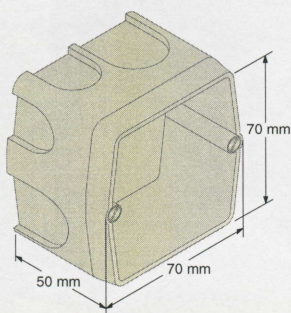
Individual control - One switch per shutter



Typical application of individual control operation used in private office. All shutters are momentary position for 'hold to run' operation.

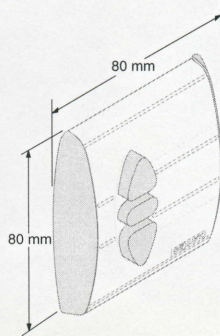
A risk assessment of switching arrangements will be required to comply with recent health & safety requirements.

All switches must be 'hold to run' operation and should be located so the operator can view the safe operation of all shutters attached to that particular switch.



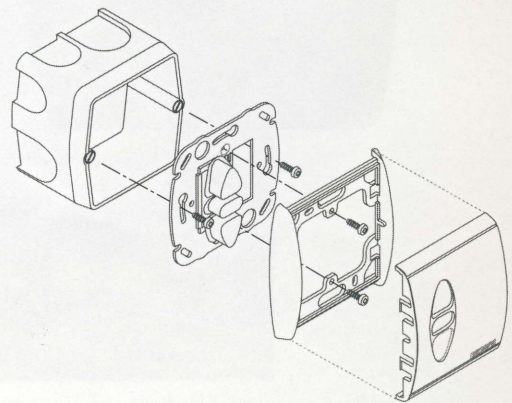
Ref **9660048**

50mm deep flush mounting box with 60mm fixing centres.



Ref **1800010**

Uno individual momentary switch for one shutter.



The Uno switch must be mounted on the flush mounting box shown as it is **not** directly compatible with British Standard mounting boxes.