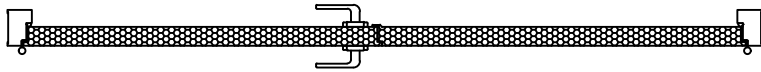
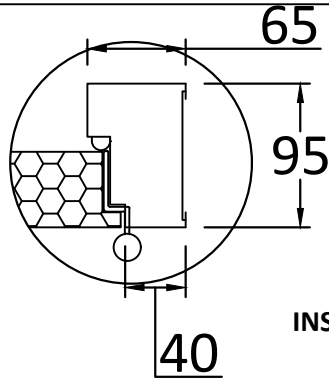


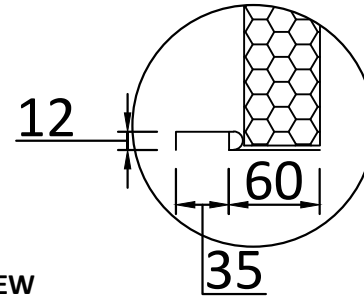
AERIAL CROSS SECTION



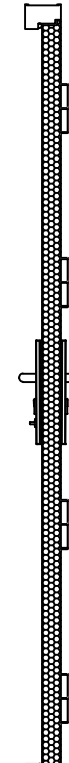
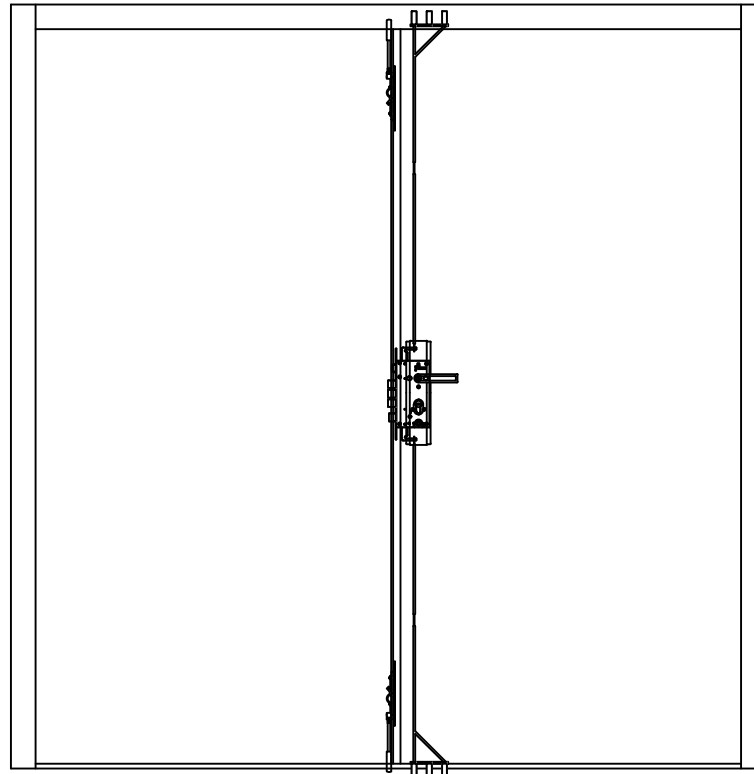
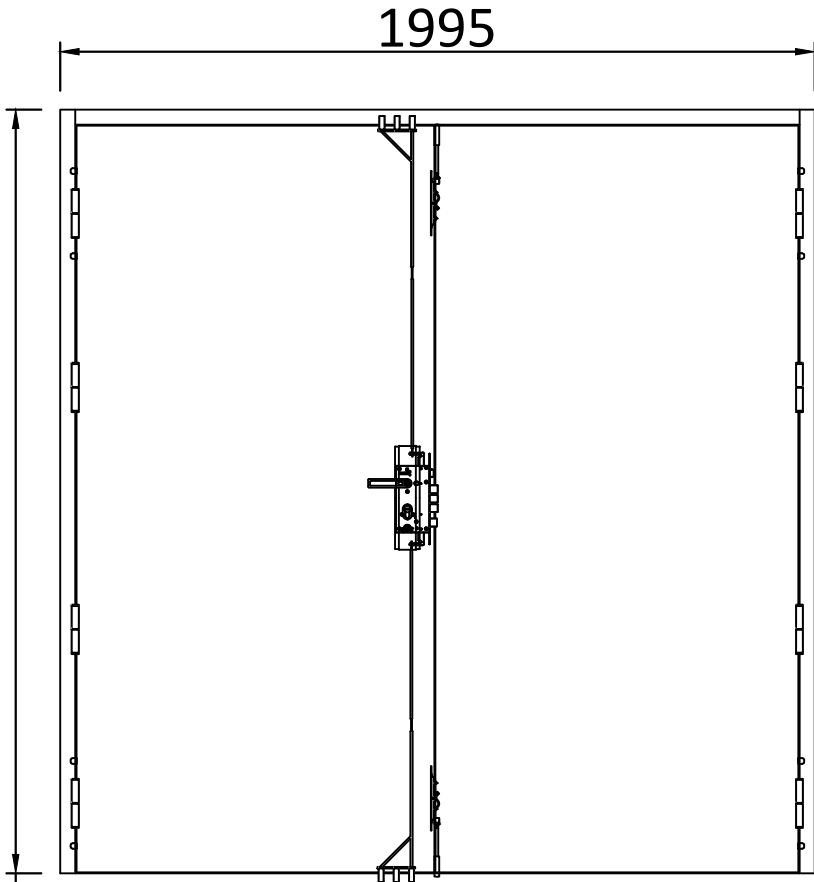
OUTSIDE VIEW



INSIDE VIEW



VERTICAL CROSS SECTION



DOUBLE SECURITY DOOR

**SIZES AVAILABLE
WIDTH (MM) X HEIGHT (MM)**

1495 X 2020
1595 X 2020
1695 X 2020
1795 X 2020
1895 X 2020
1995 X 2020

CONSTRUCTION MATERIALS

GALVANISED STEEL
FRAME: 2MM
DOOR LEAF: 1MM
DUFAYLITE INFIL

HINGES

8 X 304# STAINLESS STEEL

EXAMPLE SHOWN:
1995X2020 LH ACTIVE OUT
(VIEWED FROM OUTSIDE)

2020

DRAWN BY:
CHRIS HARDY

SCALE:
1:20