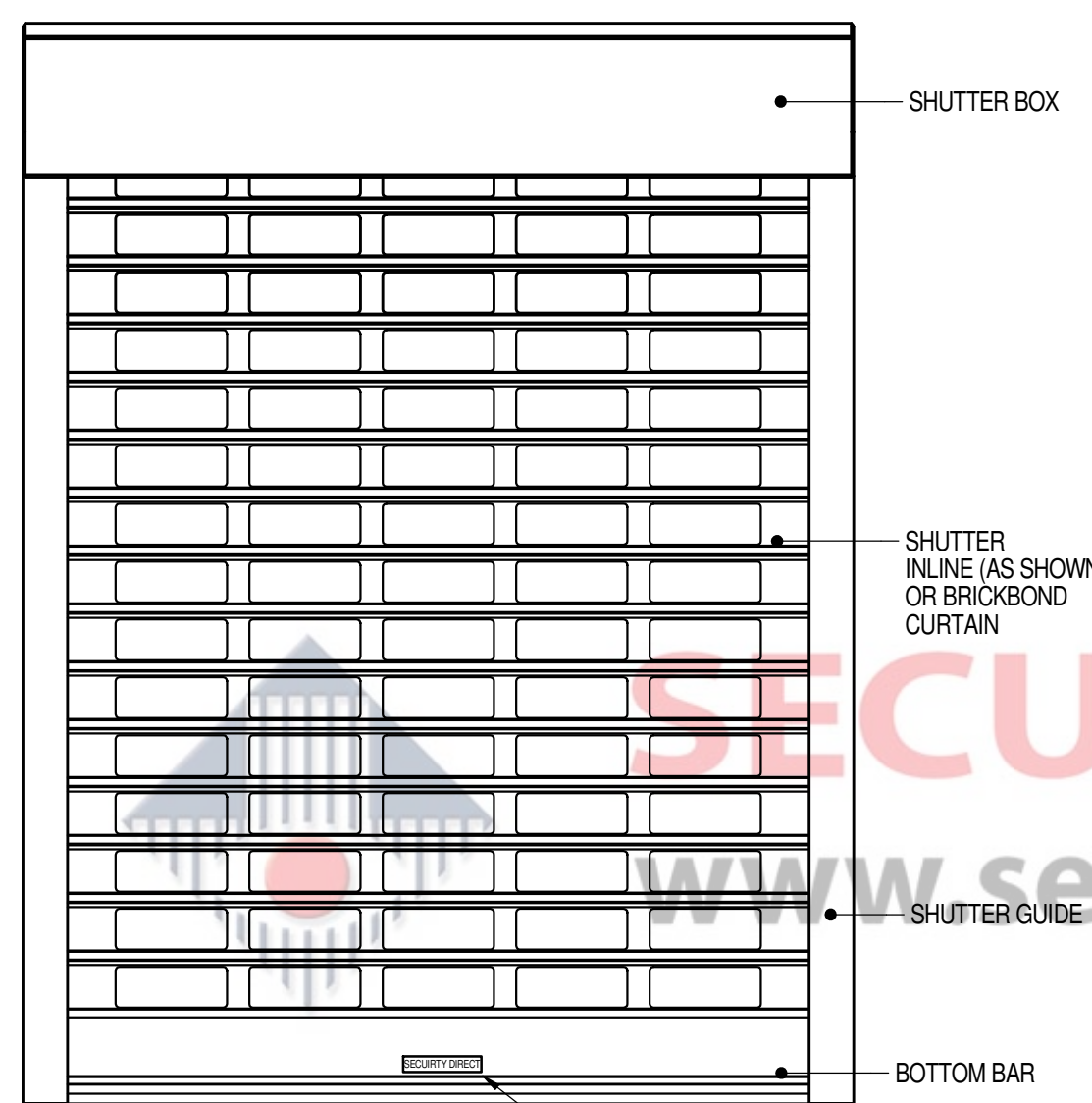
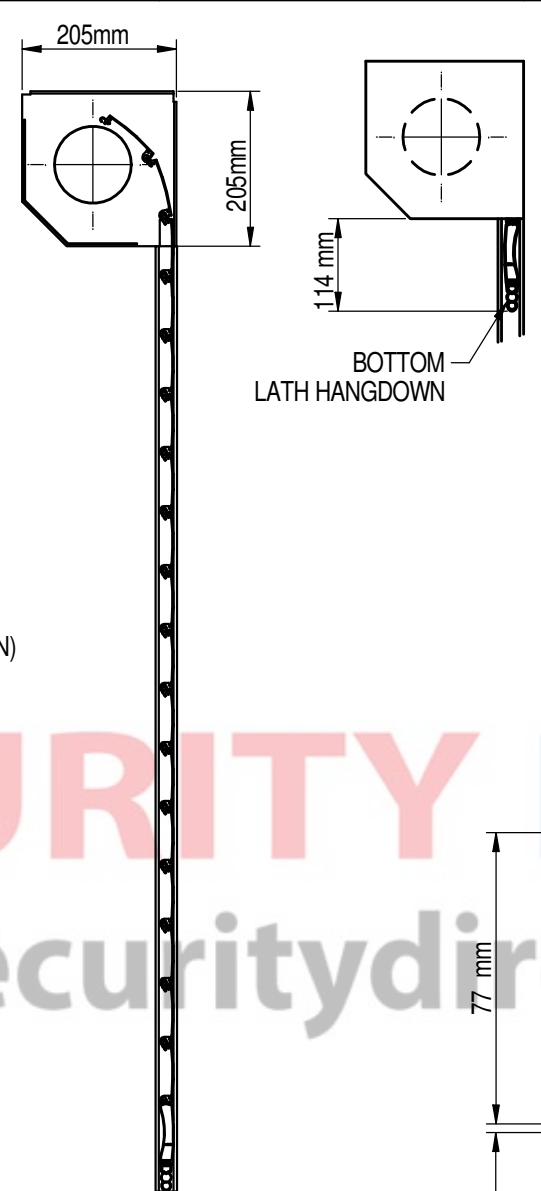


1 2 3 4 5 6 7 8

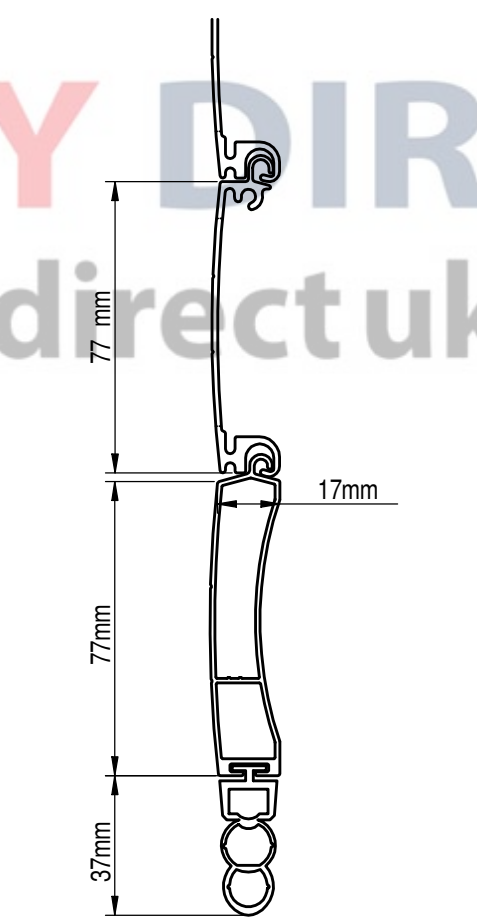
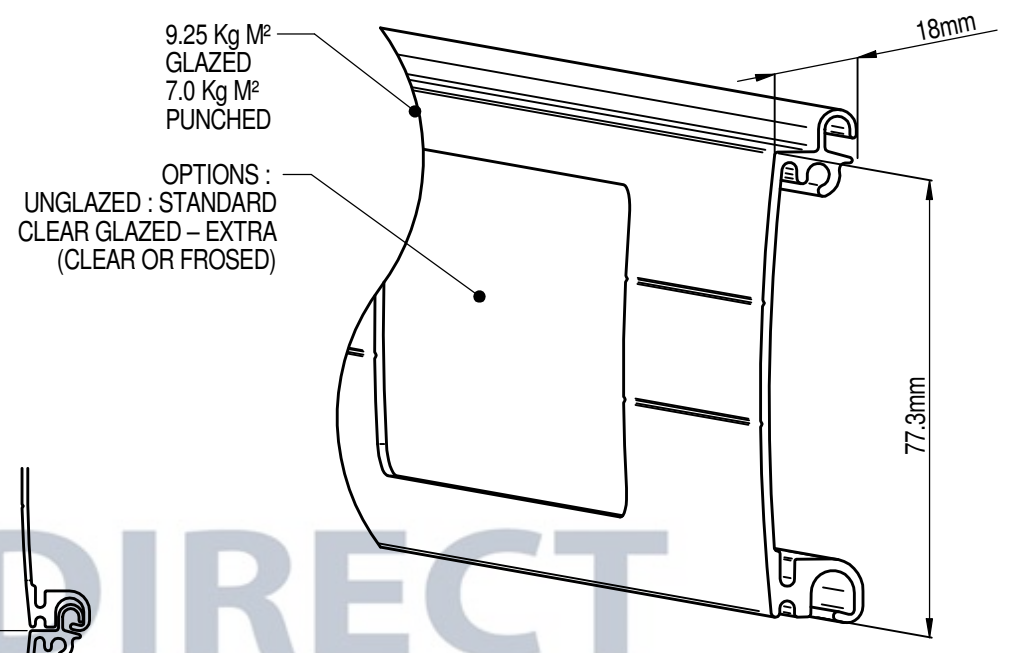


REAR VIEW

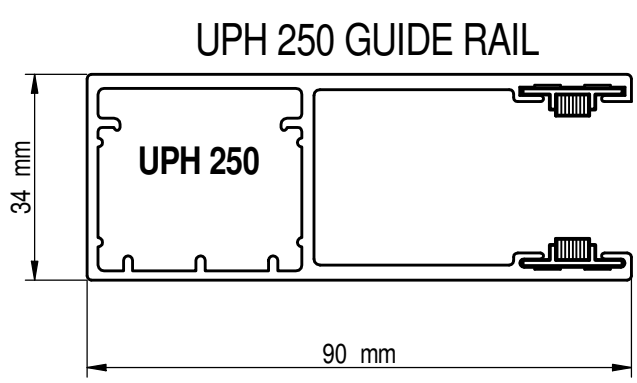


SECTION VIEW

PUNCHED SLAT - 58% VISION



SECTION THRO SOLID LATH (STANDARD BOTTOM RAIL)



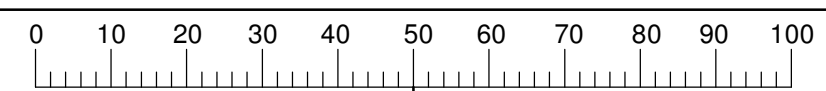
RA8 Punched Aluminium GENERAL ARRANGEMENT



SECURITY DIRECT
www.securitydirectuk.com

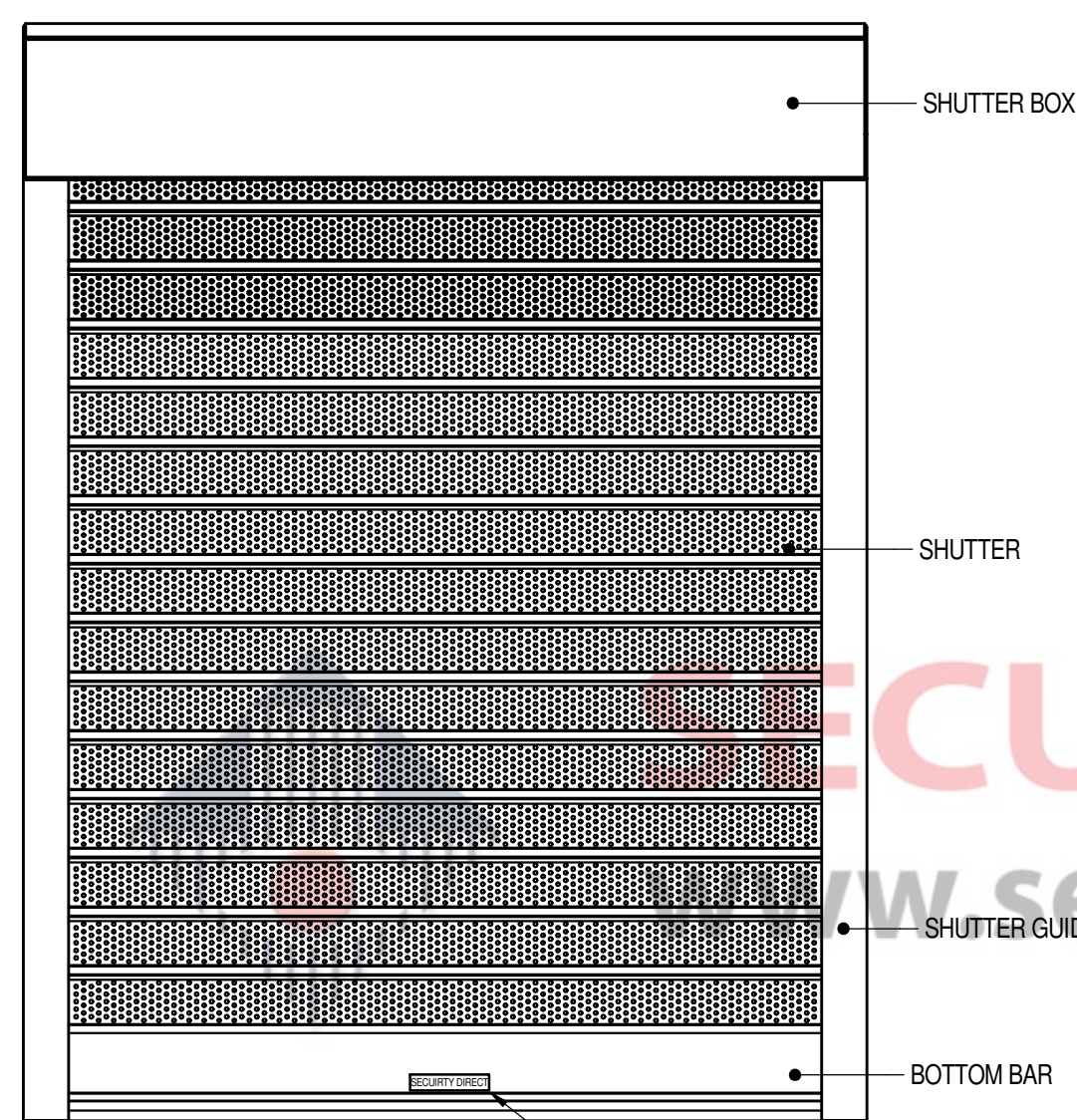
Security Direct operates a policy of continuous improvements, product specification may change and its advisable to consult with our Sales Team before specifying or ordering.

Sheet 1 of 9

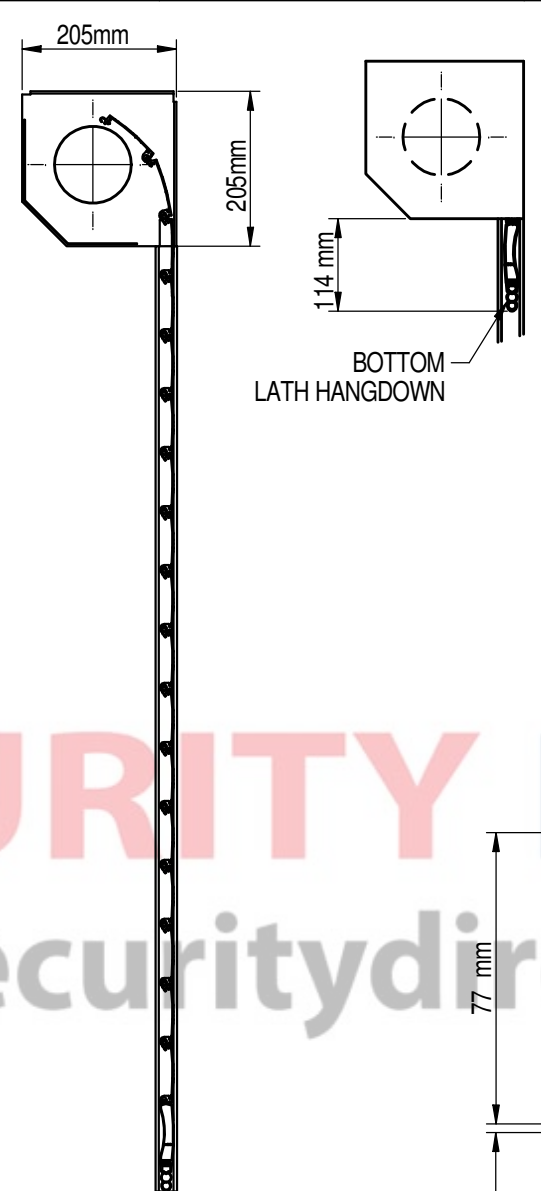


1 2 3 6 7 8

1 2 3 4 5 6 7 8

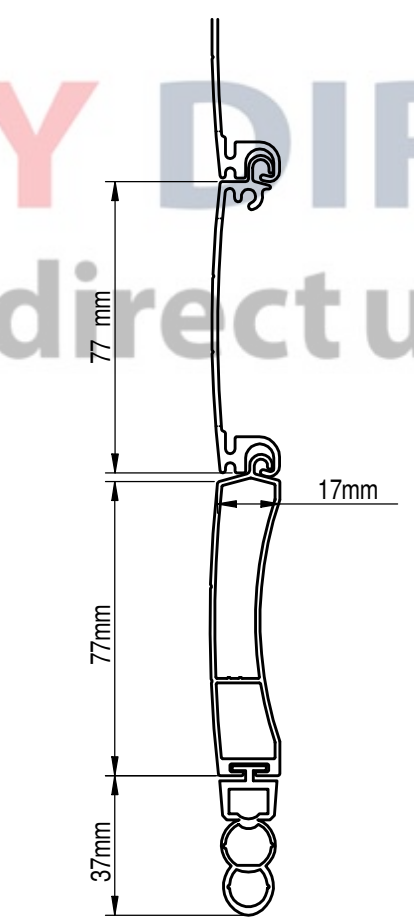
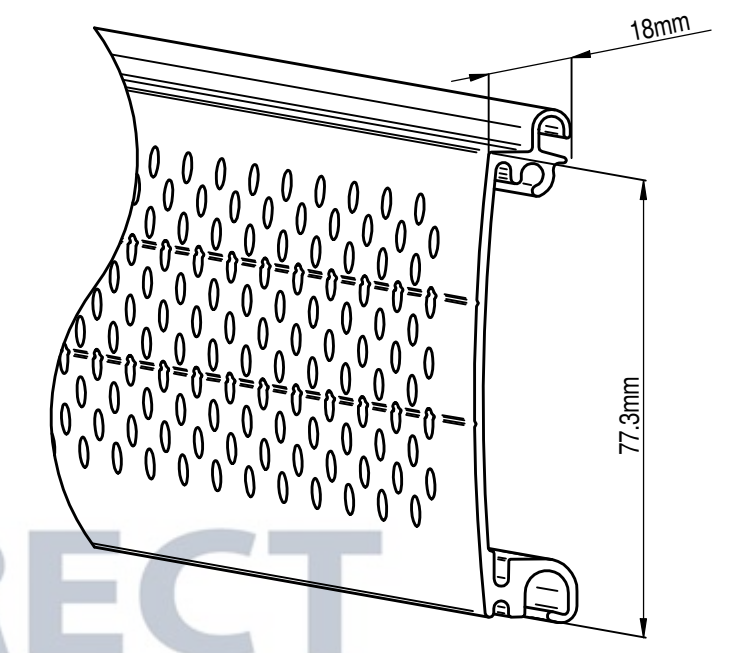


REAR VIEW

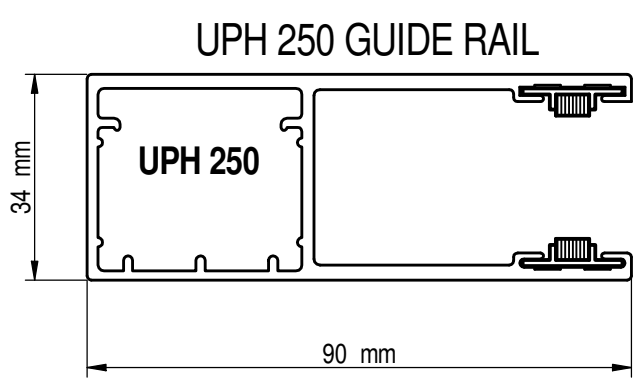


SECTION VIEW

PREFORATED SLAT - 22% VISION

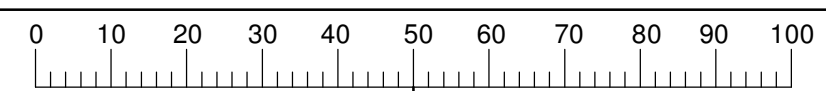


SECTION THRO SOLID LATH (STANDARD BOTTOM RAIL)



UPH 250 GUIDE RAIL

UPH 250



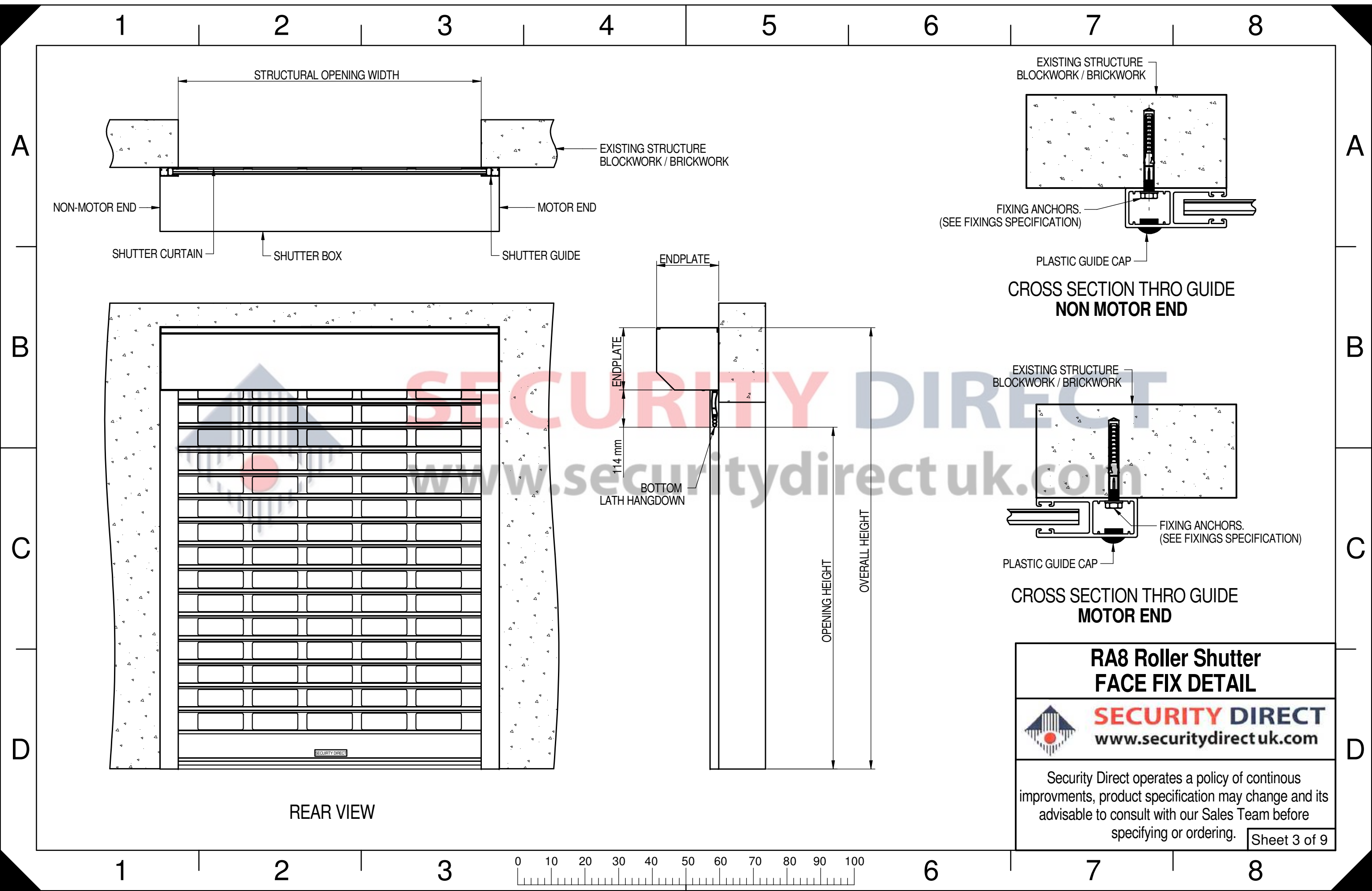
RA8 Perforated Aluminium GENERAL ARRANGEMENT

 **SECURITY DIRECT**
www.securitydirectuk.com

Security Direct operates a policy of continuous improvements, product specification may change and its advisable to consult with our Sales Team before specifying or ordering.

Sheet 2 of 9

1 2 3 6 7 8



1 2 3 4 5 6 7 8

A

A

B

B

C

C

D

D

STRUCTURAL OPENING WIDTH

EXISTING STRUCTURE
BLOCKWORK / BRICKWORK

NON-MOTOR END

MOTOR END

SHUTTER CURTAIN

SHUTTER BOX

SHUTTER GUIDE

ENDPLATE

EXISTING STRUCTURE
BLOCKWORK / BRICKWORK

FIXING ANCHORS.
(SEE FIXINGS SPECIFICATION)

PLASTIC GUIDE CAP

CROSS SECTION THRO GUIDE
NON MOTOR END

EXISTING STRUCTURE
BLOCKWORK / BRICKWORK

FIXING ANCHORS.
(SEE FIXINGS SPECIFICATION)

PLASTIC GUIDE CAP

CROSS SECTION THRO GUIDE
MOTOR END

ENDPLATE
114 mm
BOTTOM
LATH HANGDOWN

OPENING HEIGHT

OVERALL HEIGHT

REAR VIEW

**RA8 Roller Shutter
FACE FIX DETAIL**

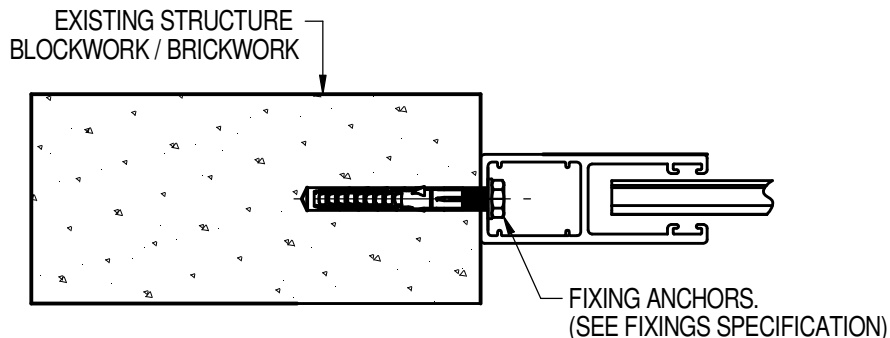
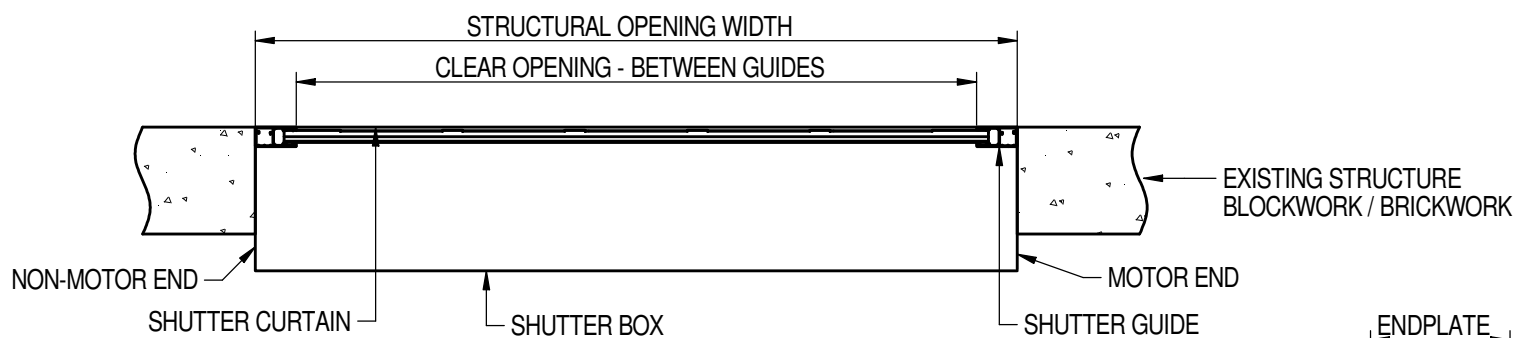
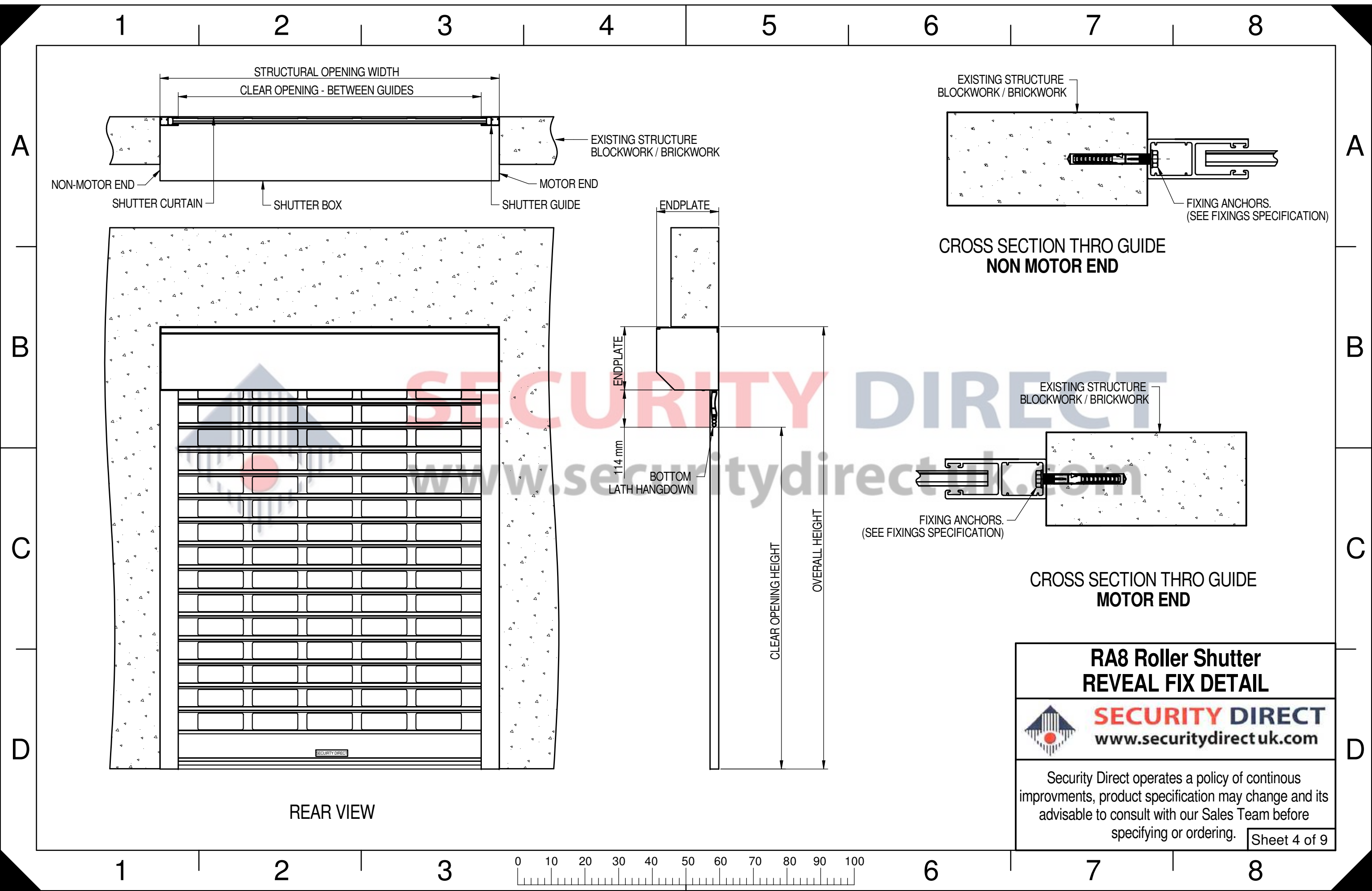


SECURITY DIRECT
www.securitydirectuk.com

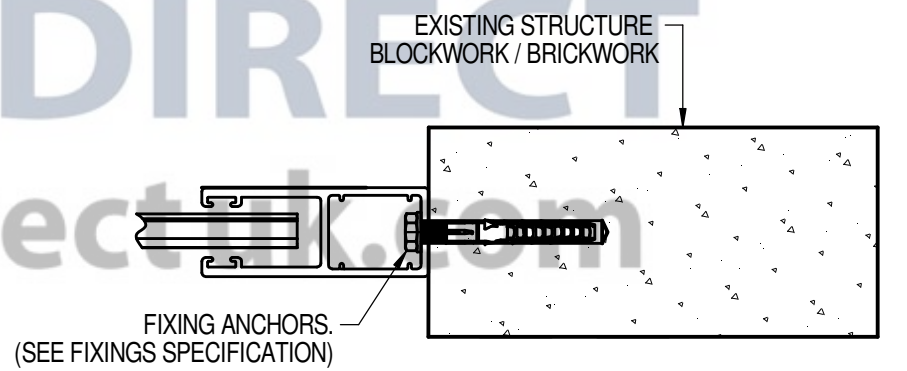
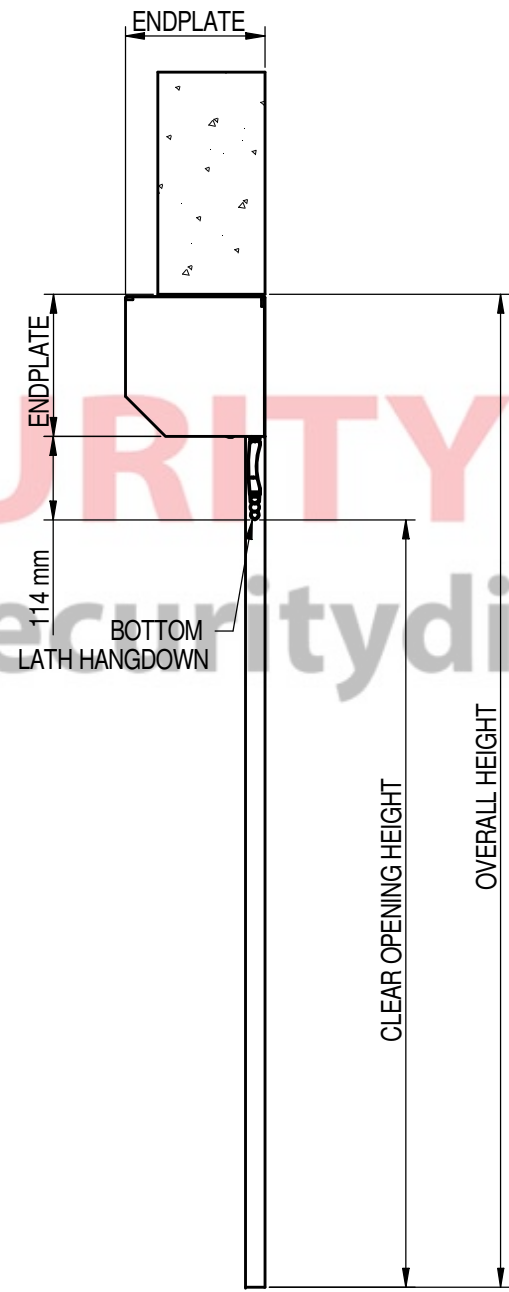
Security Direct operates a policy of continuous improvements, product specification may change and its advisable to consult with our Sales Team before specifying or ordering.

Sheet 3 of 9

1 2 3 0 10 20 30 40 50 60 70 80 90 100 6 7 8



CROSS SECTION THRO GUIDE
NON MOTOR END



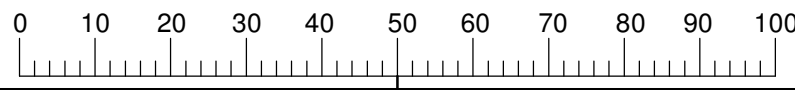
CROSS SECTION THRO GUIDE
MOTOR END

**RA8 Roller Shutter
REVEAL FIX DETAIL**

 **SECURITY DIRECT**
www.securitydirectuk.com

Security Direct operates a policy of continuous improvements, product specification may change and its advisable to consult with our Sales Team before specifying or ordering.

Sheet 4 of 9



1

2

3

4

5

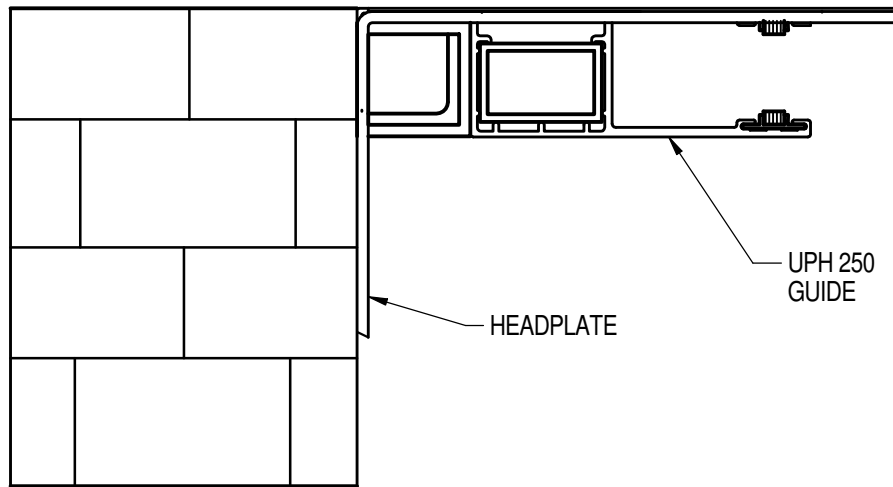
6

7

8

A

A



BOX EXTENSION

A BOX EXTENSION IS REQUIRED ON BUILT-ON SECEUROSHIELD 60 SHUTTERS

WHEN; SECEURODRIVE: CURTAIN WEIGHT EXCEEDS 149 KG ON A 4" AXLE AND WHEN A 5" AXLE IS NEEDED'

SOMFY: WHEN A THE CURTAIN WEIGHT EXCEEDS 172 KG OM A 4" AXLE AND 134 KG ON A 5" AXLE, THE PROJECTION IS JUST 30MM PACKER, AS SHOWN IN THE ILLUSTRATION.

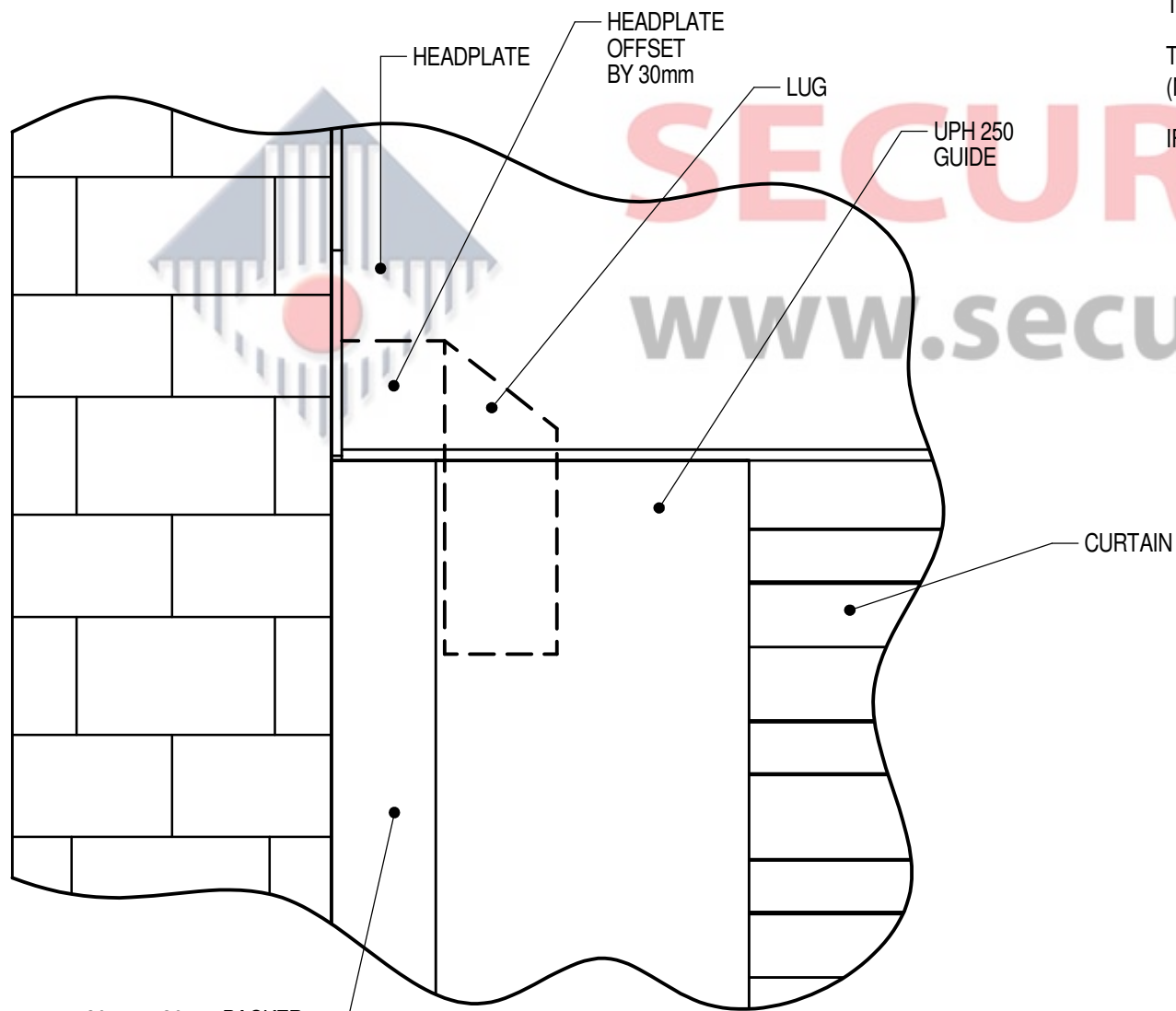
THE OVERALL WIDTH USED A 30MM PACKER, AS SHOWN IN THE ILLUSTRATION.

THE OVERALL USED WHEN PRICING AND ORDERING SHUTTERS WITH BOX EXTENSIONS IS THE OVERGUIDE WIDTH (NOT INCLUDING THE BOX EXTENSION OR 30MM PACKER).

IF YOU ARE IN DOUBT PLEASE CONTACT YOUR TRADE SALES ACCOUNT MANAGE.

B

B



SECURITY DIRECT

www.securitydirectuk.com

C

C

D

D

RA8 Roller Shutter REVEAL FIX DETAIL



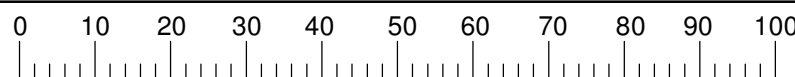
SECURITY DIRECT
www.securitydirectuk.com

Security Direct operates a policy of continuous improvements, product specification may change and its advisable to consult with our Sales Team before specifying or ordering.

1

2

3



6

7

8

MANUAL OVERRIDE FACILITY

IF A MANUAL OVERRIDE IS REQUIRED FOR USE IN THE EVENT OF POWER FAILURE THIS MUST BE SPECIFIED AT THE TIME OF ORDERING.
 THERE IS A CHOICE OF TECHNICAL SOLUTIONS FOR THE HANDLE MECHANISM WHICH OPERATES THE OVERRIDE, PRINCIPALLY DEPENDENT UPON WHETHER THE SHUTTER IS INSTALLED INTERNALLY OR EXTERNALLY AND WHETHER THE OVERRIDE IS TO OPERATE FROM INSIDE OR OUTSIDE THE BUILDING.
 OVERRIDE LOCKS AND THE LOW LEVEL EXTERNAL OVERRIDE ARE AVAILABLE AT A SURCHARGE.
 ALL SPECIFICATIONS REFER TO A 205mm BOX OR LARGER.
 WHEN A SHUTTER IS INSTALLED OVER AN EXIT WHICH WOULD BE THE ONLY MEANS OF AN ESCAPE IN AN EMERGENCY, IT IS A LEGAL REQUIREMENT TO INSTALL AN OVERRIDE ON THE INSIDE.
 THE LATEST GENERATION OF LOW LEVEL EXTERNAL OVERRIDES CAN NOW BE OPERATED FROM BOTH THE INSIDE AND OUTSIDE TO SATISFY THIS LEGAL REQUIREMENT.

USE OF MANUAL OVERRIDE SHUTTERS:

CLEAR INSTRUCTION MUST BE GIVEN TO USERS ON THE MANUAL OVERRIDE WINDING DIRECTION TO RAISE THE SHUTTER. WINDING THE SHUTTER DOWNWARDS BEYOND THE NORMAL STOP POINT WILL DAMAGE THE SHUTTER.

INTERNALLY FITTED SHUTTER WITH EXTERNAL OVERRIDE

A REMOVABLE 45° JOINT CRANK HANDLE IS INSERTED INTO THE MOTOR. THE EXIT HOLE IS FILLED WITH AN 18MM COVER CAP OR LOCKABLE OVERRIDE COVER. ONLY AVAILABLE ON SHUTTER BOX EXIT 'F' OR 'E' FOR 205mm BOX OR BIGGER.

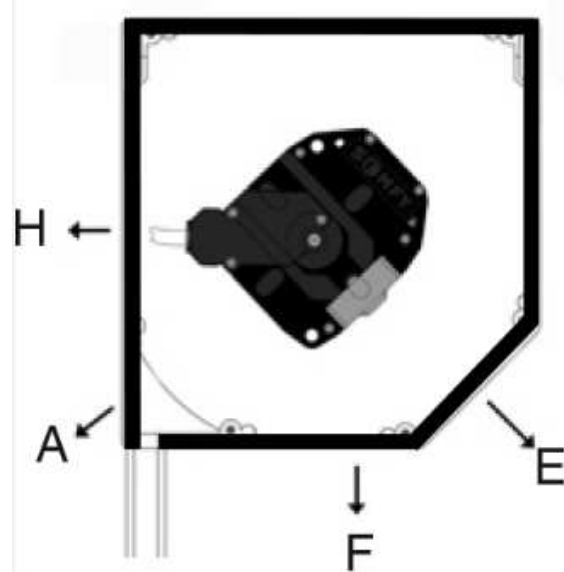


45° CRANK



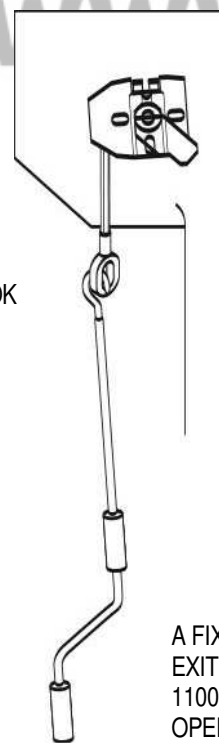
A LOCKABLE COVERPLATE OPTION.

EXIT POINTS



NOT ALL EXIT OPTIONS WILL BE POSSIBLE ON CERTAIN SHUTTERS.

INTERNALLY FITTED SHUTTER WITH INTERNAL OVERRIDE



RIGID EYE JOINT



OVERRIDE CROOK



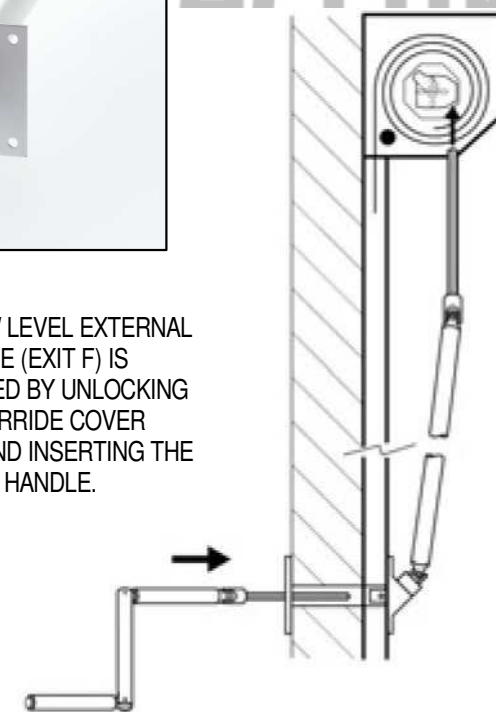
A FIXED EYE CAN BE SUPPLIED AT SHUTTER BOX EXIT 'F' WITH A REMOVABLE HOOKED HANDLE OF 1100MM AS STANDARD - SEE SECTION ON CRANK OPERATION (PAGE 9) FOR DETAIL. ALTERNATIVELY A FIXED 45° JOINT CRANK HANDLE CAN BE SUPPLIED AT BOX EXIT 'E' OR 'F'

WINDING HANDLE



THE LOW LEVEL EXTERNAL OVERRIDE (EXIT F) IS OPERATED BY UNLOCKING THE OVERRIDE COVER PLATE AND INSERTING THE WINDING HANDLE.

INTERNALLY FITTED SHUTTER WITH EXTERNAL OVERRIDE



DROP EYE JOINT

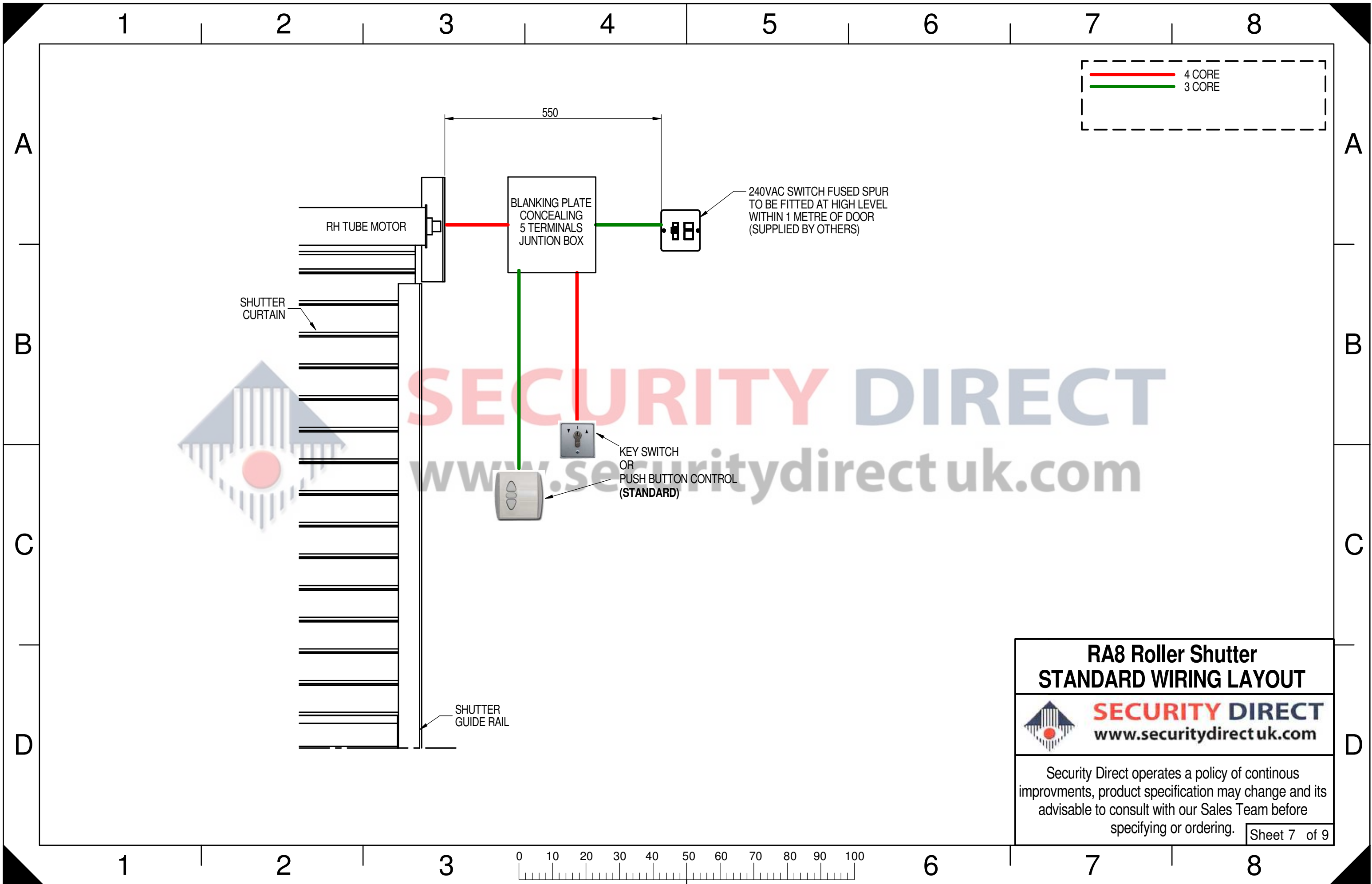


RA8 Roller Shutter MANUAL OVERRIDE



SECURITY DIRECT
www.securitydirectuk.com

Security Direct operates a policy of continuous improvements, product specification may change and its advisable to consult with our Sales Team before specifying or ordering.

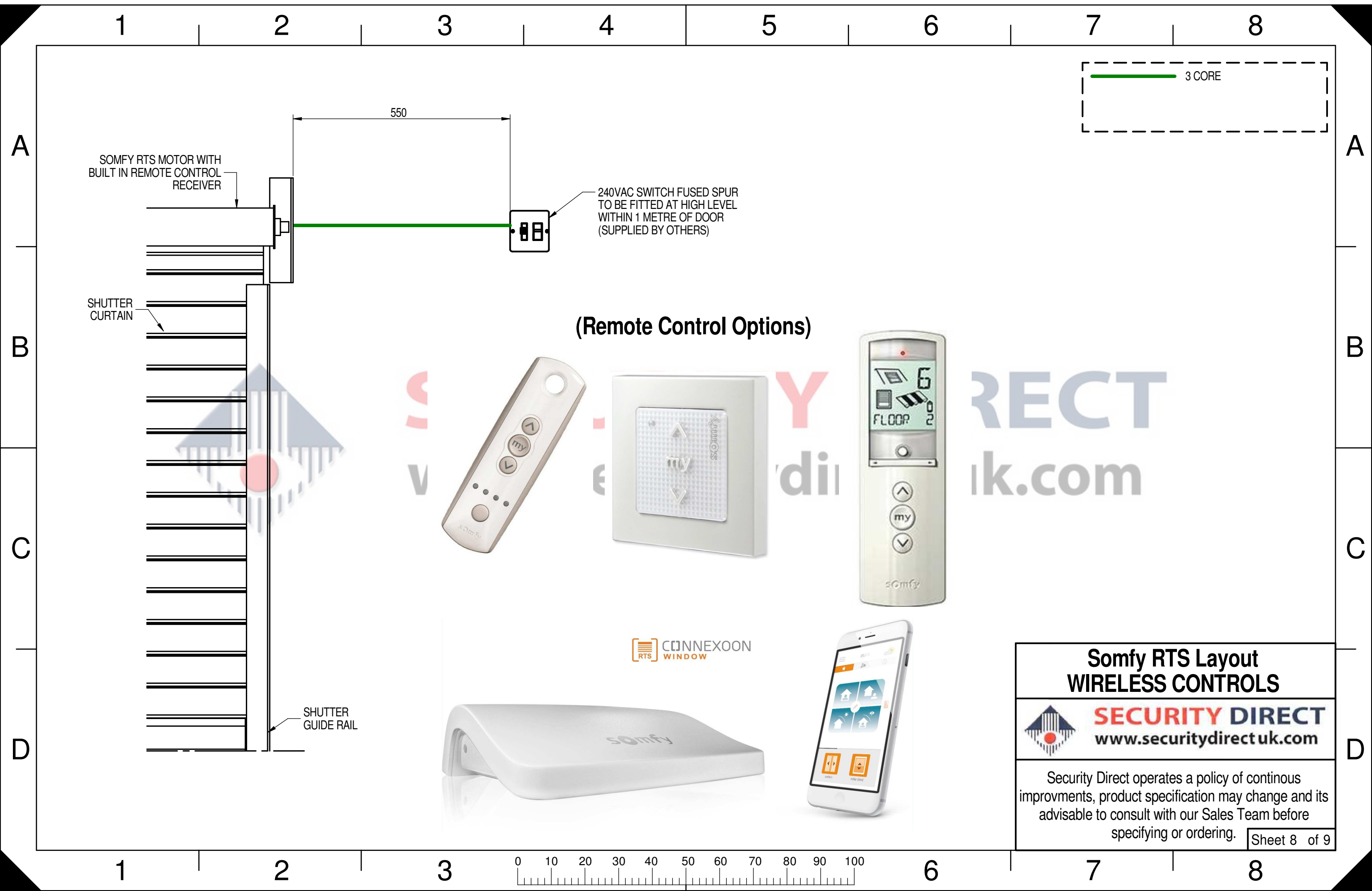


**RA8 Roller Shutter
STANDARD WIRING LAYOUT**

 **SECURITY DIRECT**
www.securitydirectuk.com

Security Direct operates a policy of continuous improvements, product specification may change and its advisable to consult with our Sales Team before specifying or ordering.

Sheet 7 of 9



RTS CONNEXOON WINDOW



**Somfy RTS Layout
WIRELESS CONTROLS**

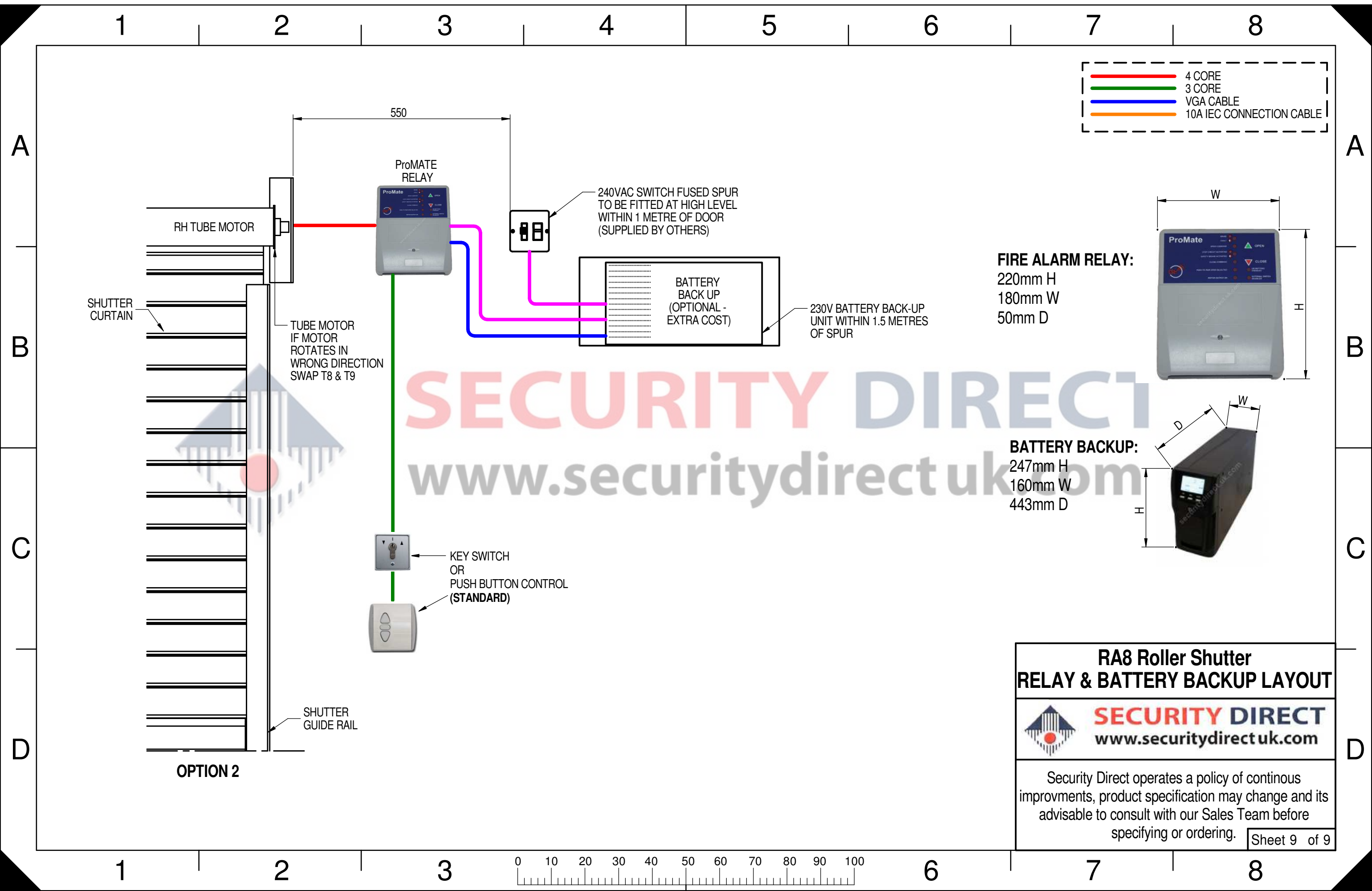


SECURITY DIRECT
www.securitydirectuk.com

Security Direct operates a policy of continuous improvements, product specification may change and its advisable to consult with our Sales Team before specifying or ordering.

Sheet 8 of 9

RECT
ik.com



SECURITY DIRECT
www.securitydirectuk.com

**RA8 Roller Shutter
RELAY & BATTERY BACKUP LAYOUT**



Security Direct operates a policy of continuous improvements, product specification may change and its advisable to consult with our Sales Team before specifying or ordering.