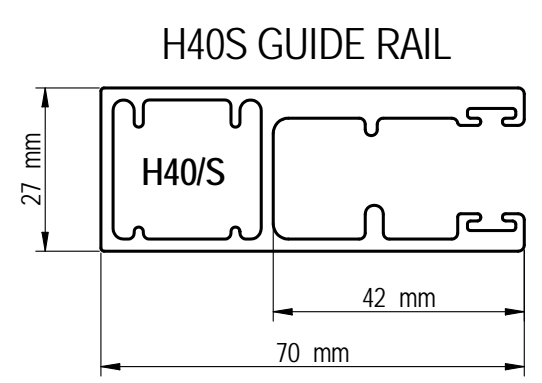
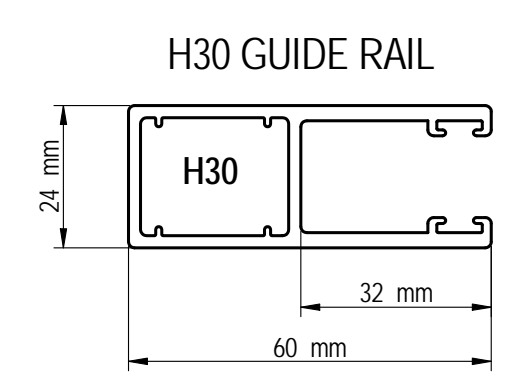
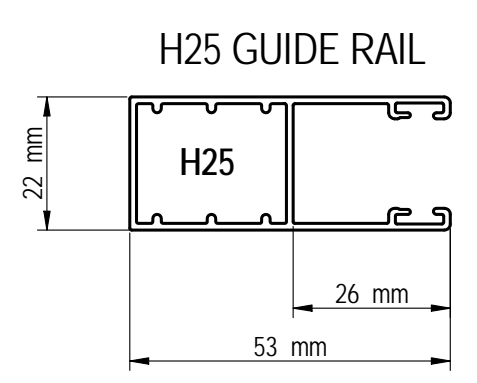
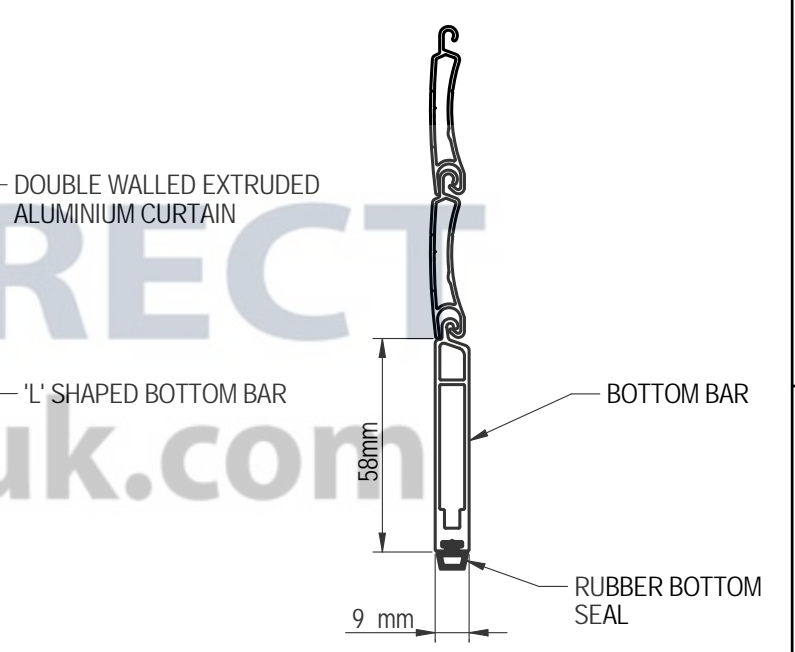
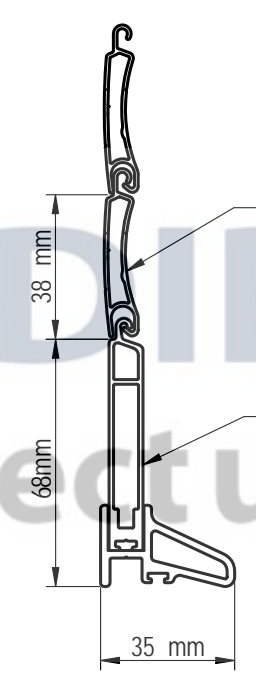
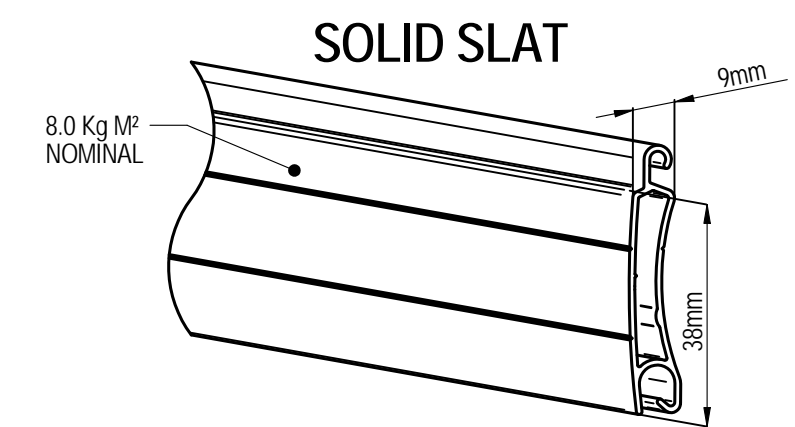
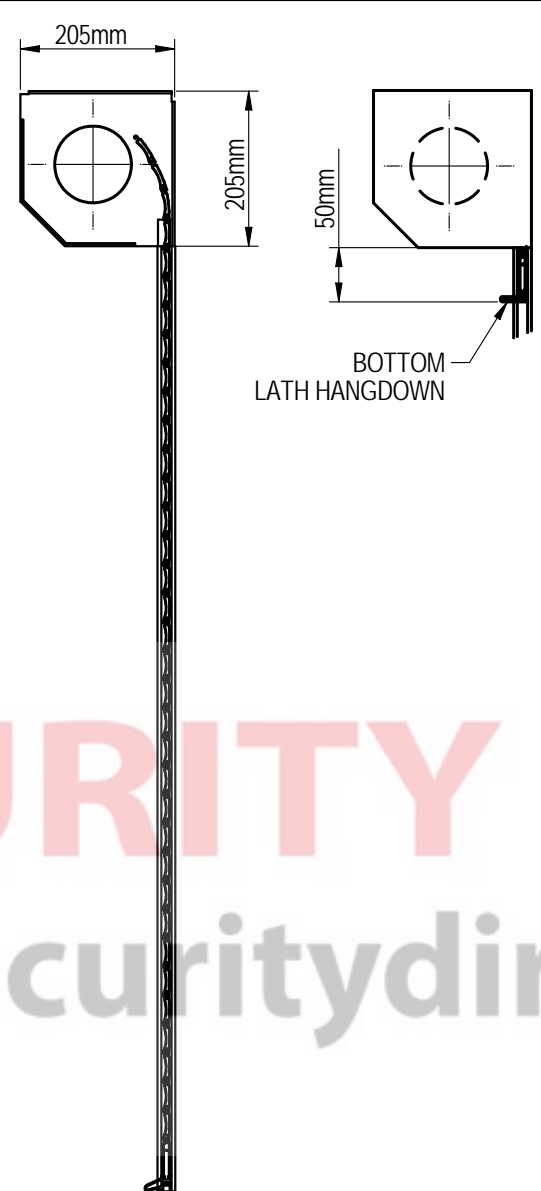
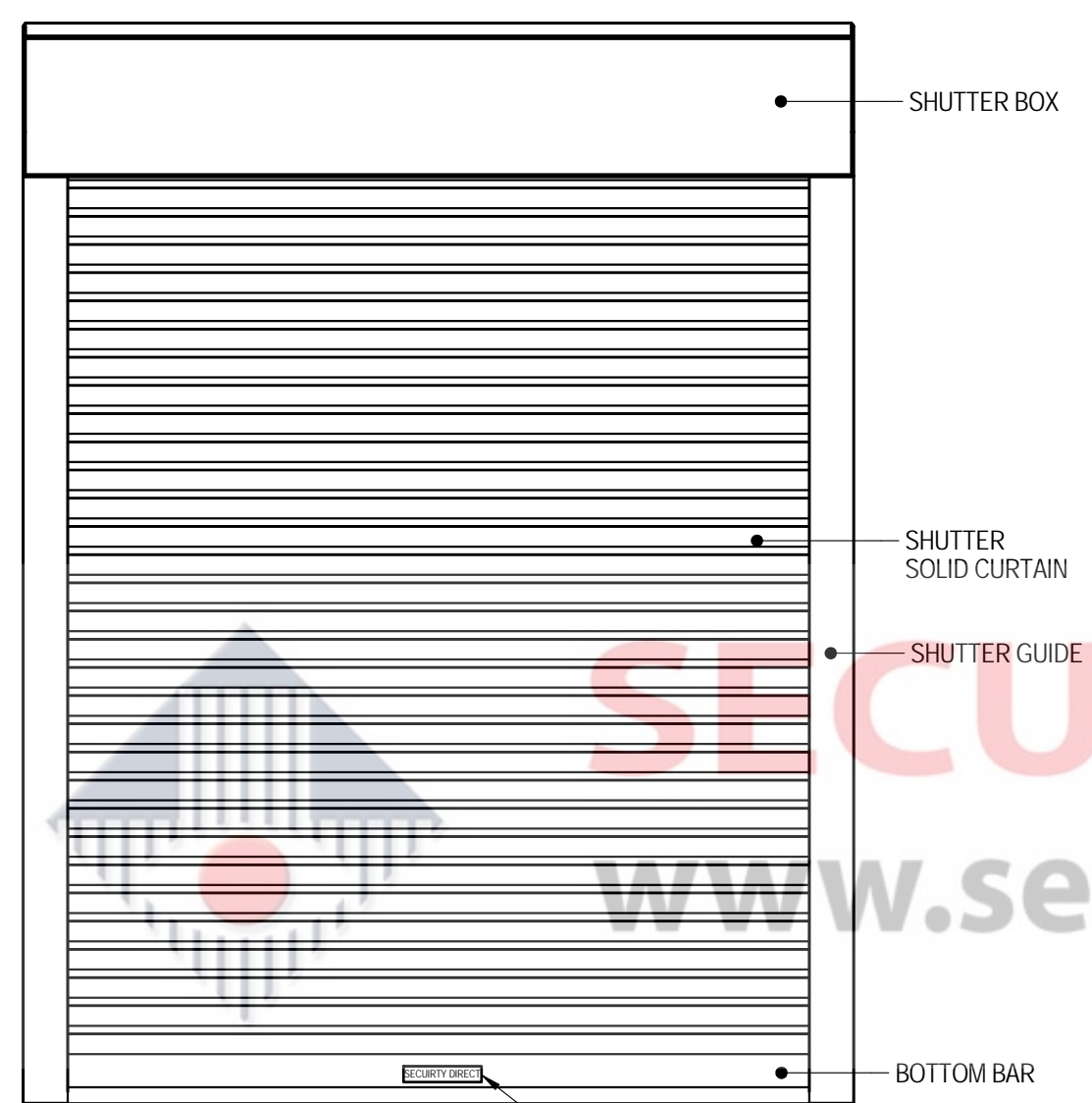


1 2 3 4 5 6 7 8



Ra4 - Compact Aluminium GENERAL ARRANGEMENT



SECURITY DIRECT
www.securitydirectuk.com

Security Direct operates a policy of continuous improvements, product specification may change and its advisable to consult with our Sales Team before specifying or ordering.

Sheet 1 of 12

1 2 3 0 10 20 30 40 50 60 70 80 90 100 6 7 8

1 2 3 4 5 6 7 8

A

B

C

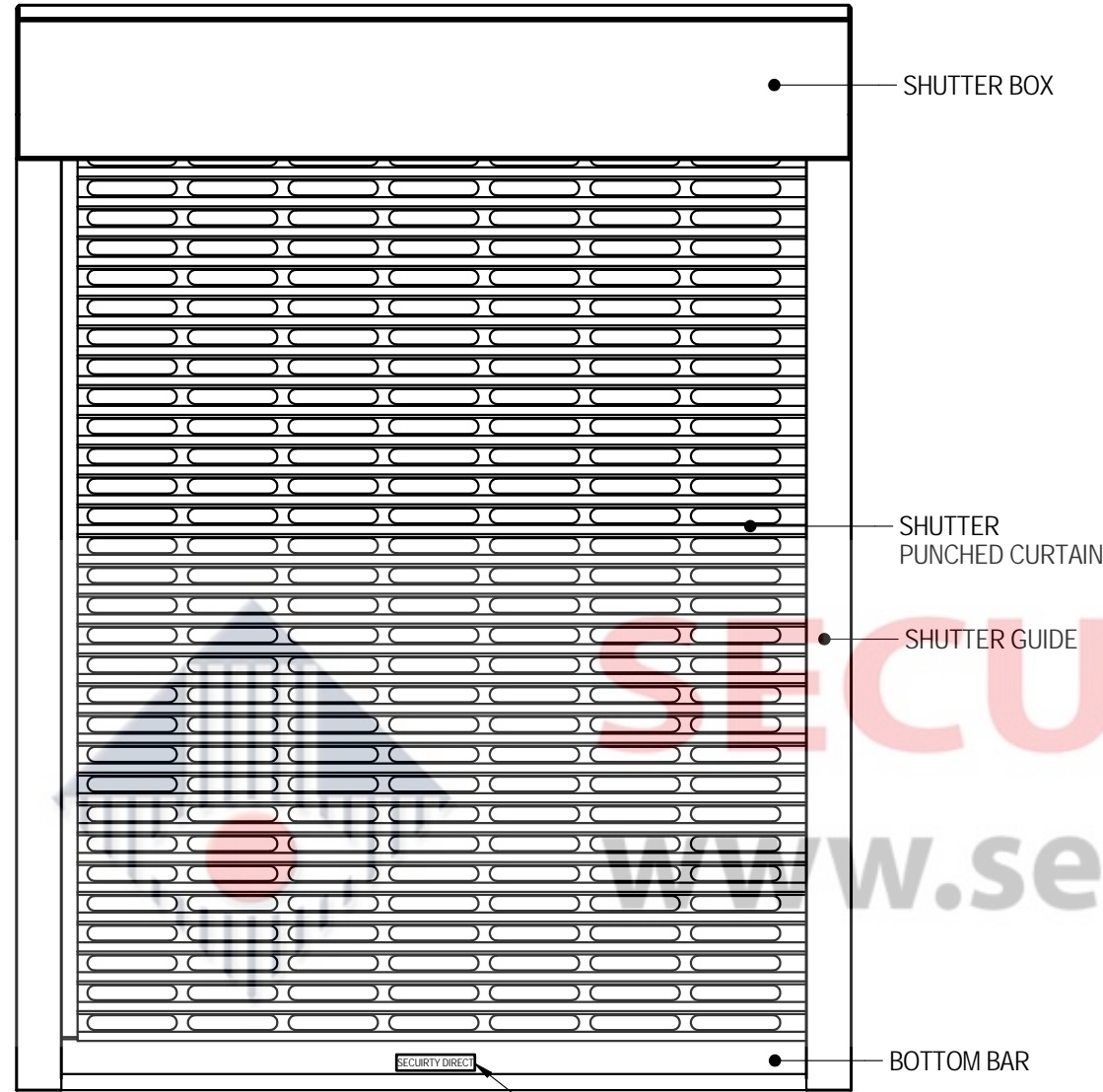
D

A

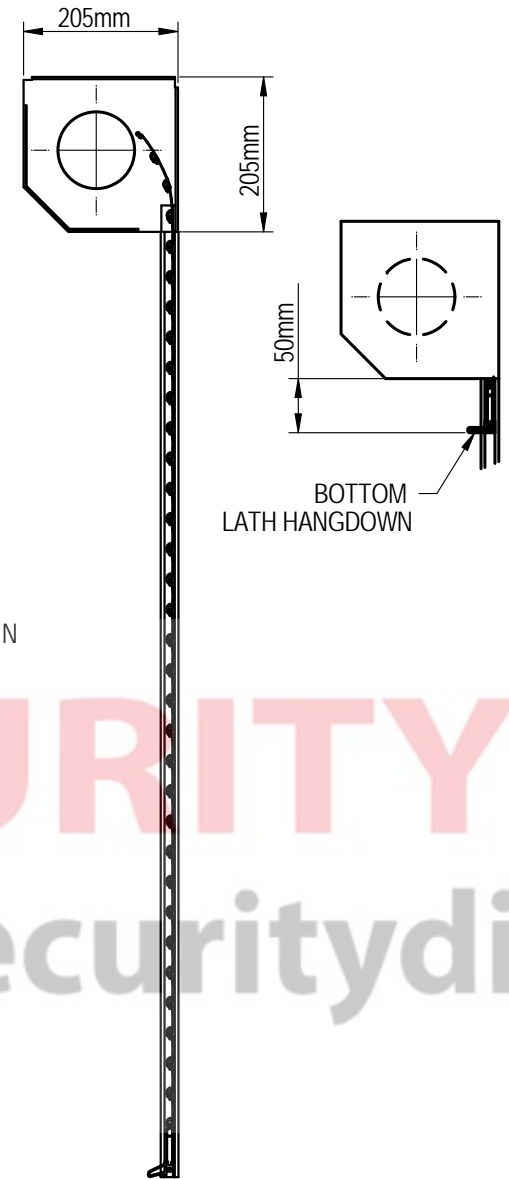
B

C

D

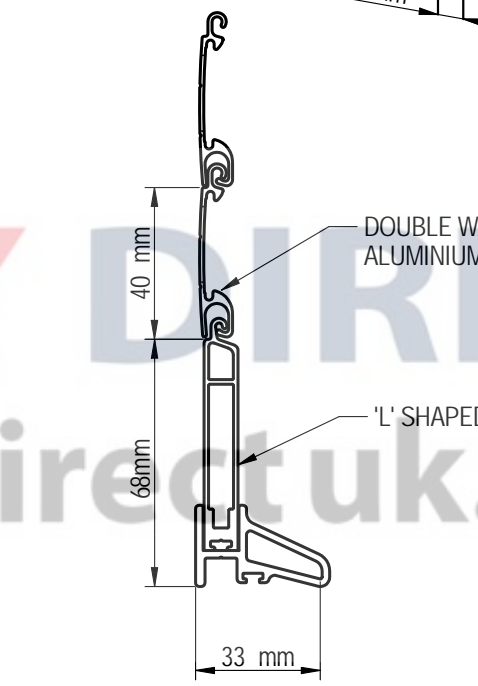
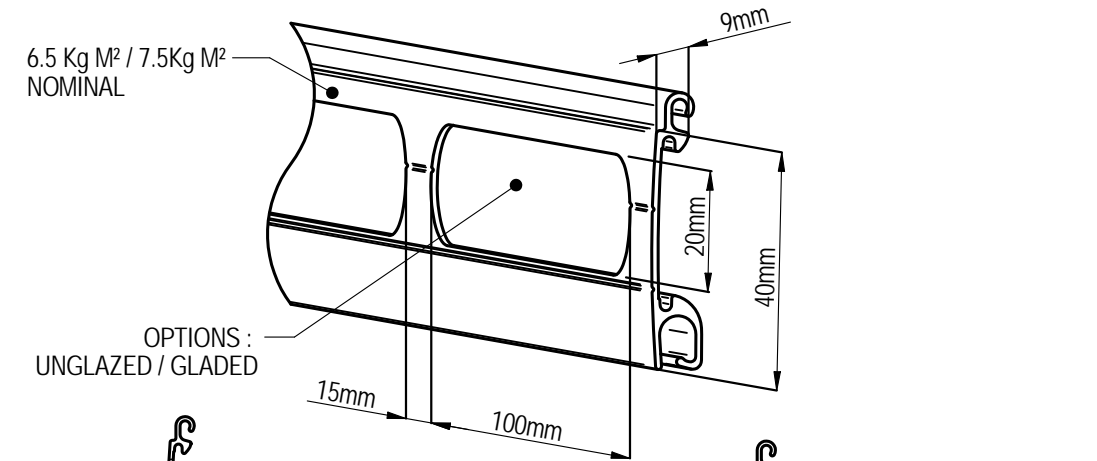


REAR VIEW

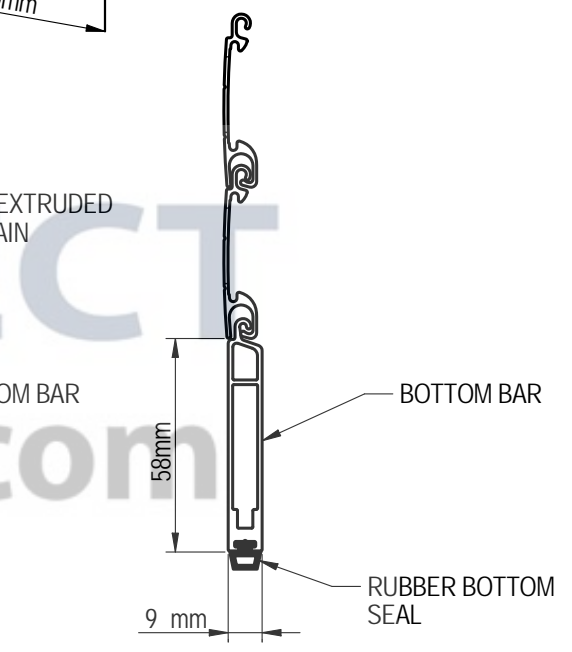


SECTION VIEW

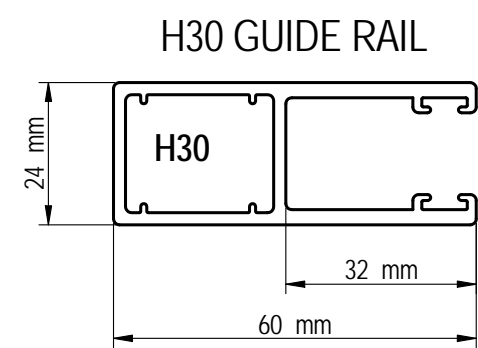
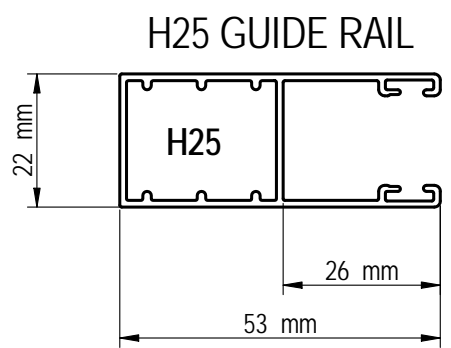
PUNCHED SLAT - 44% VISION



SECTION THRO PUNCHED LATH (STANDARD BOTTOM RAIL)



SECTION THRO PUNCHED LATH (RUBBER SEAL OPTIONAL)



PLEASE NOTE:
THE MAXIMUM WIDTH THE SHUTTER CAN BE FULLY PUNCHED IS 3M WIDE.
OVER 3M, A MAXIMUM OF 4 PUNCHED LATHS CAN BE USED.

Ra4 - Punched Laths
GENERAL ARRANGEMENT

SECURITY DIRECT
www.securitydirectuk.com

Security Direct operates a policy of continuous improvements, product specification may change and its advisable to consult with our Sales Team before specifying or ordering.

1 2 3 0 10 20 30 40 50 60 70 80 90 100 6 7 8

1 2 3 4 5 6 7 8

A

A

B

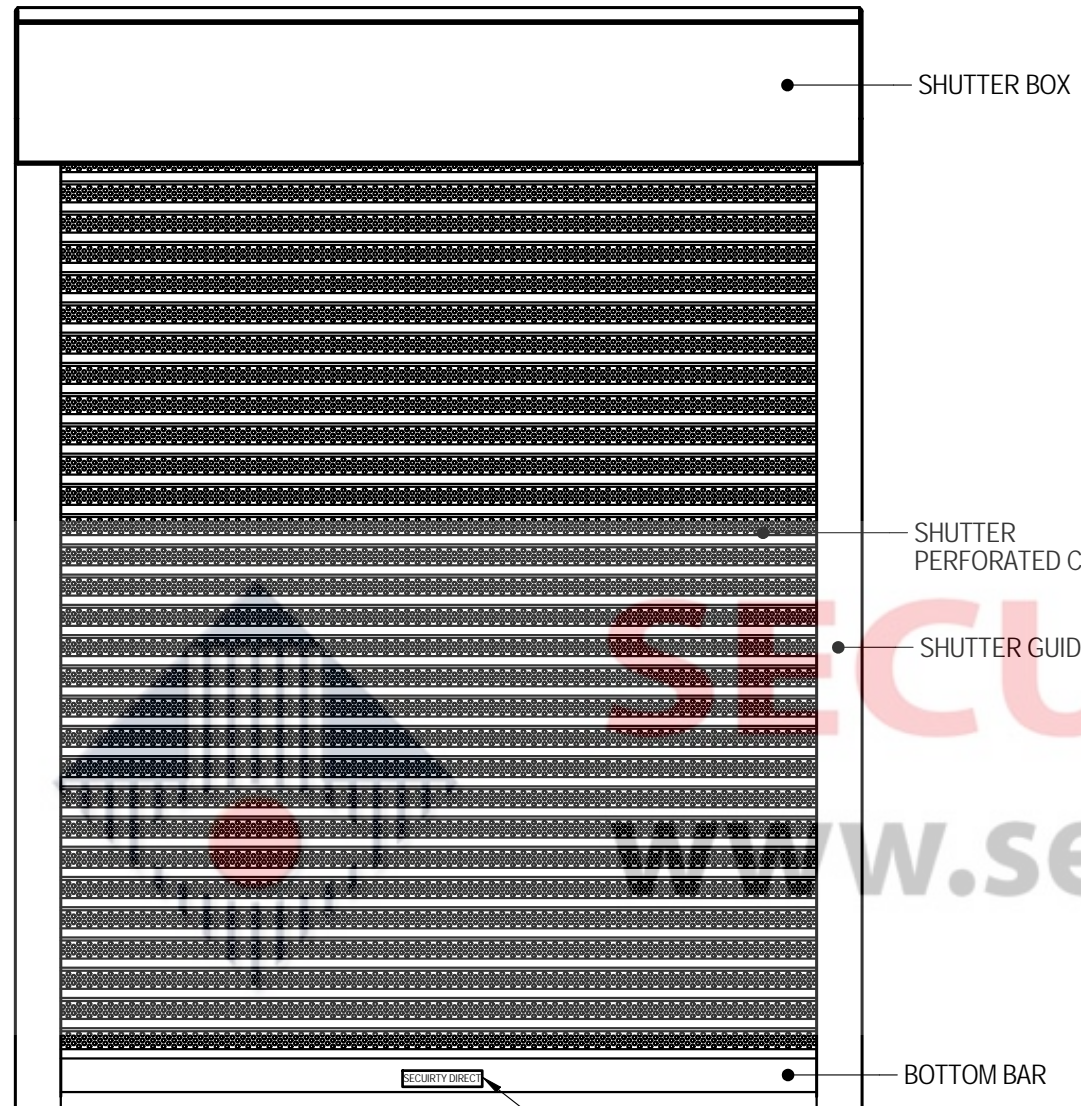
B

C

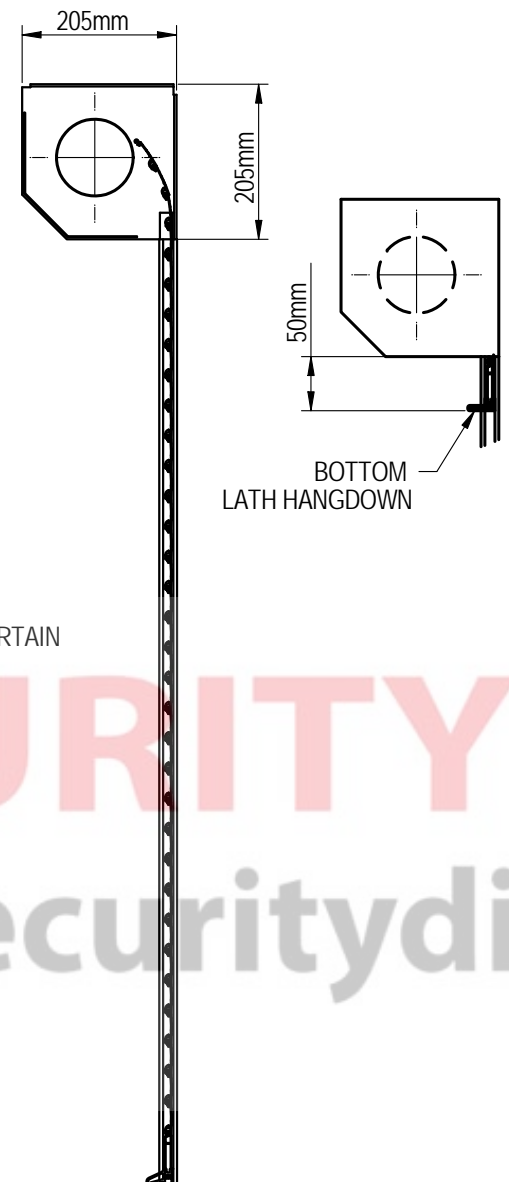
C

D

D

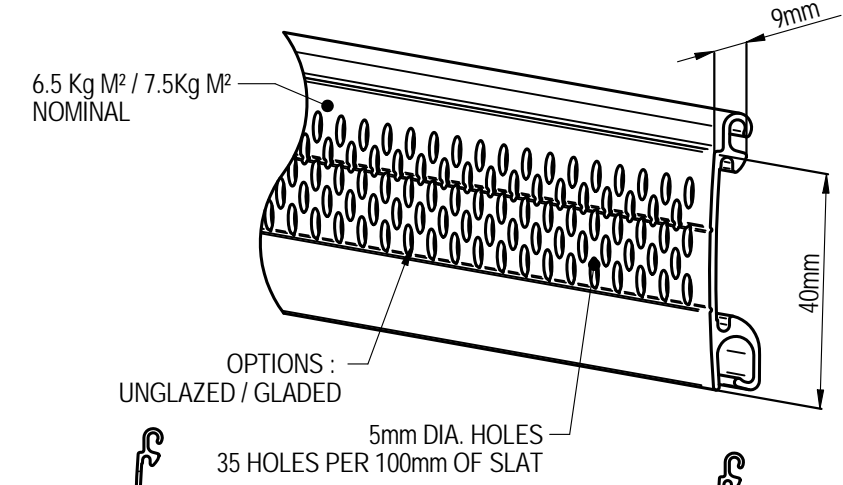


REAR VIEW - PRODUCT NAMEPLATE



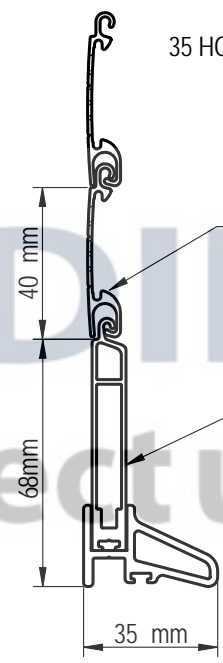
SECTION VIEW

PERFORATED SLAT - 18% VISION

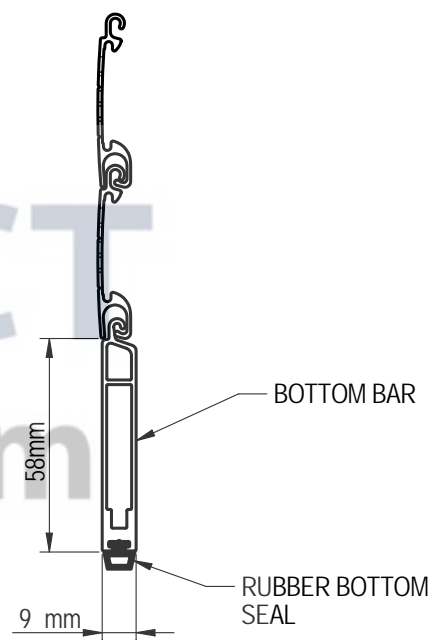


OPTIONS :
UNGLAZED / GLAZED

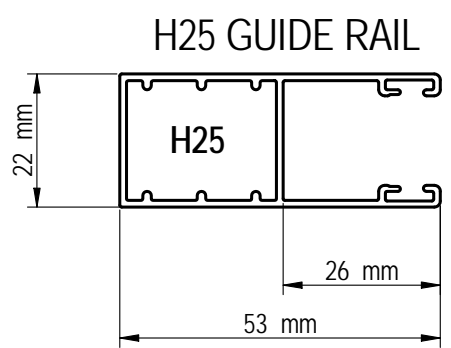
5mm DIA. HOLES
35 HOLES PER 100mm OF SLAT



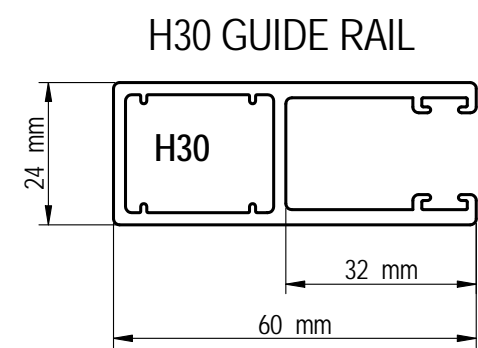
SECTION THRO PERFORATED LATH (STANDARD BOTTOM RAIL)



SECTION THRO PERFORATED LATH (RUBBER SEAL OPTIONAL)



H25 GUIDE RAIL



H30 GUIDE RAIL

PLEASE NOTE:
THE MAXIMUM WIDTH THE SHUTTER CAN BE FULLY PERFORATED IS 3M WIDE. OVER 3M, A MAXIMUM OF 10 PERFORATED LATHS CAN BE USED.

Ra4 - Perforated Laths
GENERAL ARRANGEMENT

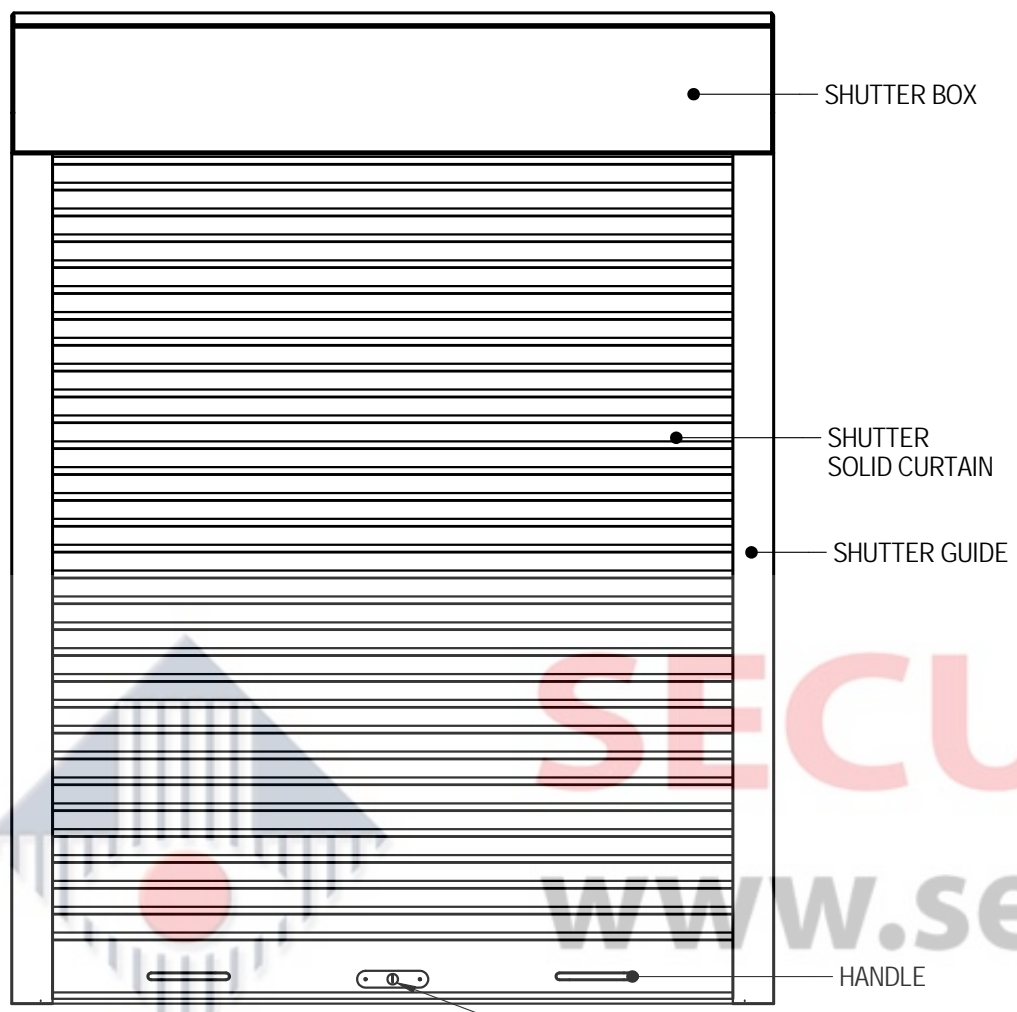


SECURITY DIRECT
www.securitydirectuk.com

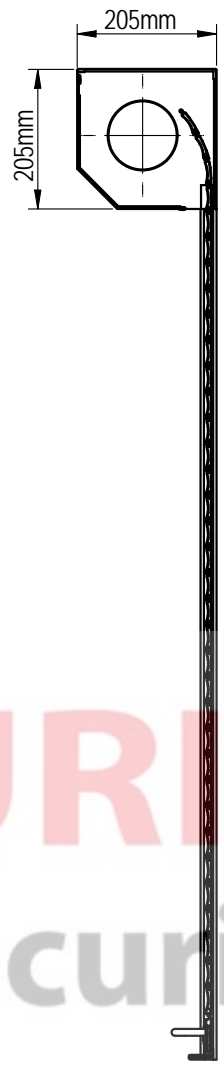
Security Direct operates a policy of continuous improvements, product specification may change and its advisable to consult with our Sales Team before specifying or ordering.

Sheet 3 of 12

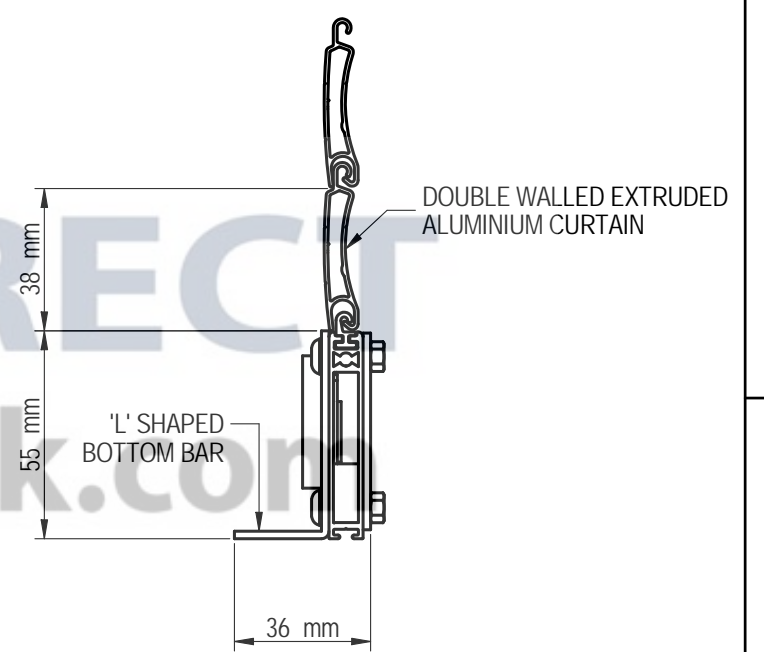
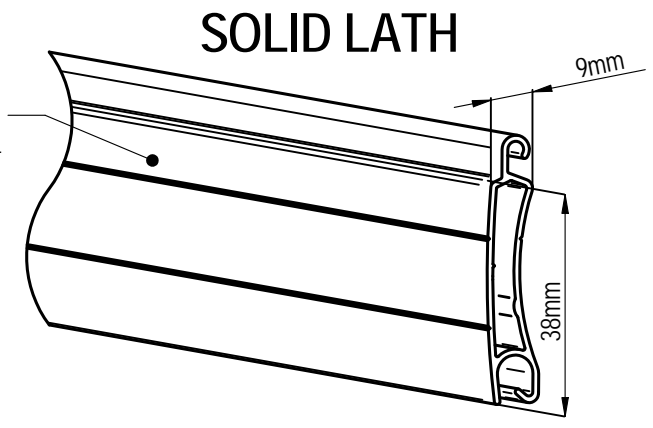
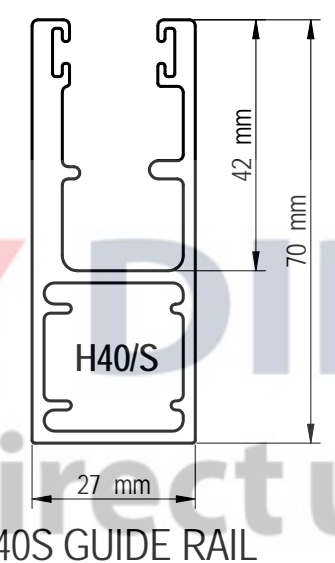
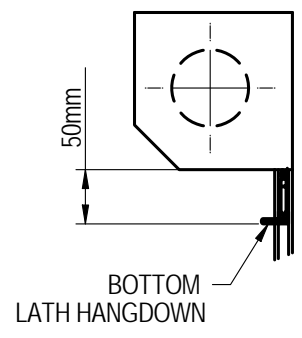
1 2 3 0 10 20 30 40 50 60 70 80 90 100 6 7 8



REAR VIEW BOTTOM SLAT KEY LOCK



SECTION VIEW

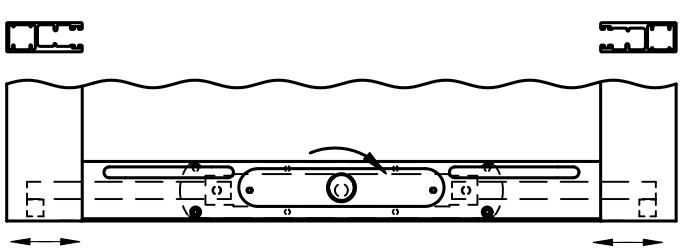
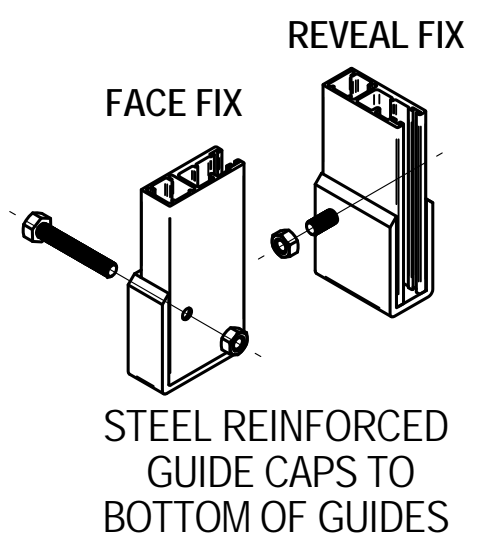
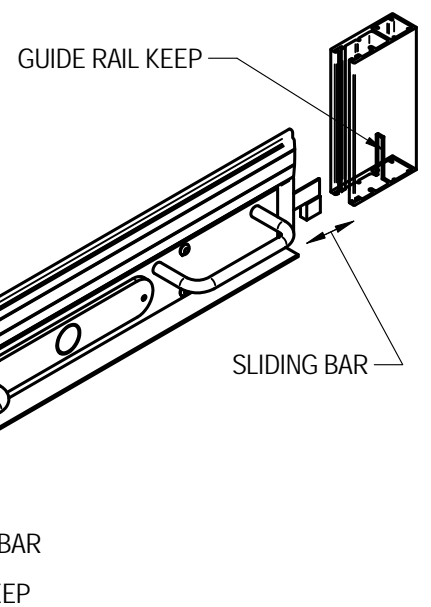


SECTION THRO BOTTOM LATH LOCK (STANDARD BOTTOM RAIL)

LOCKING

BOTTOM SLAT KEY LOCK

Ra401 SHUTTERS INCLUDE A TRANSVERSE LOCK WHICH IS OPERABLE FROM BOTH SIDES, FITTED INTO THE BOTTOM SLAT AS STANDARD. THE CENTRAL KEY THROWS OUT LOCKING BARS WHICH LOCATE INTO THE BOX SECTION OF THE GUIDE RAIL AT EACH SIDE. THE SHUTTER MUST BE HELD IN THE CLOSED POSITION AGAINST THE SPRINGING TO ENGAGE THE LOCKS. HANDLES ARE SUPPLIED TO ASSIST OPERATION - ONE OR TWO ARE SUPPLIED DEPENDENT UPON SHUTTER SIZE. NON LOCKING SHOOT BOLTS ARE AVAILABLE AS AN OPTION.

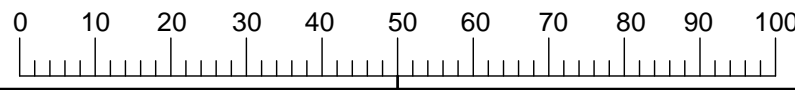


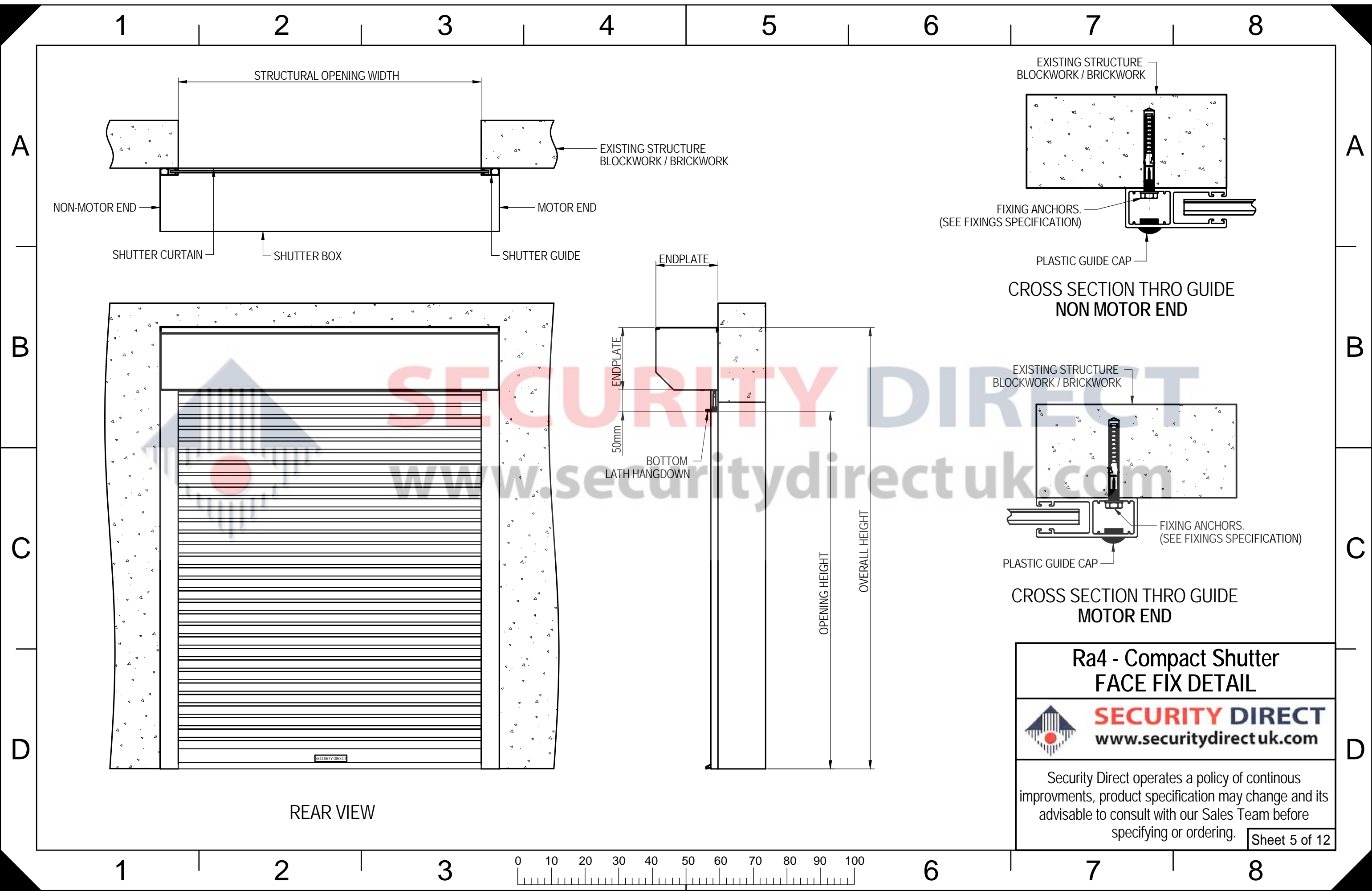
Ra401 - LPS 1175 SR1
GENERAL ARRANGEMENT

SECURITY DIRECT
www.securitydirectuk.com

Security Direct operates a policy of continuous improvements, product specification may change and its advisable to consult with our Sales Team before specifying or ordering.

Sheet 4 of 12





SECURITY DIRECT

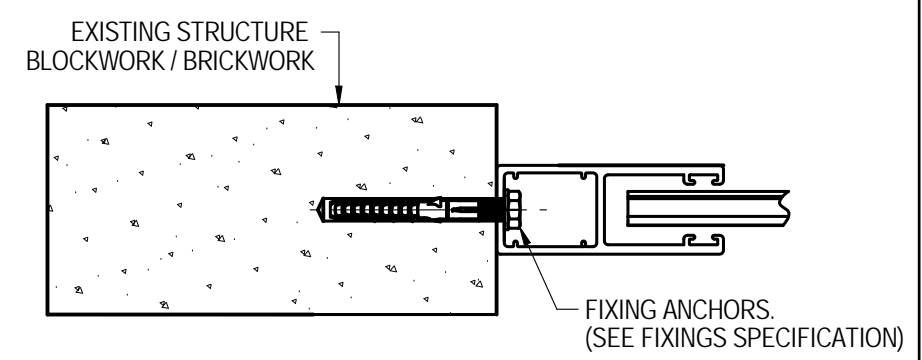
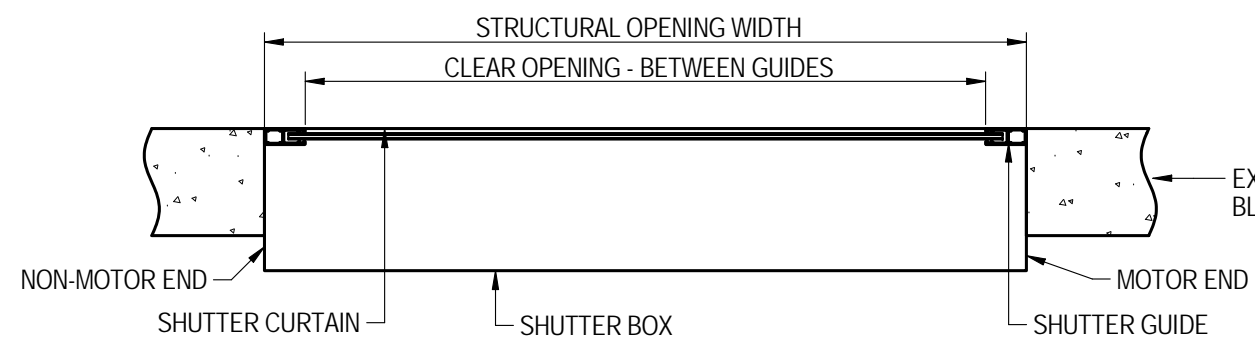
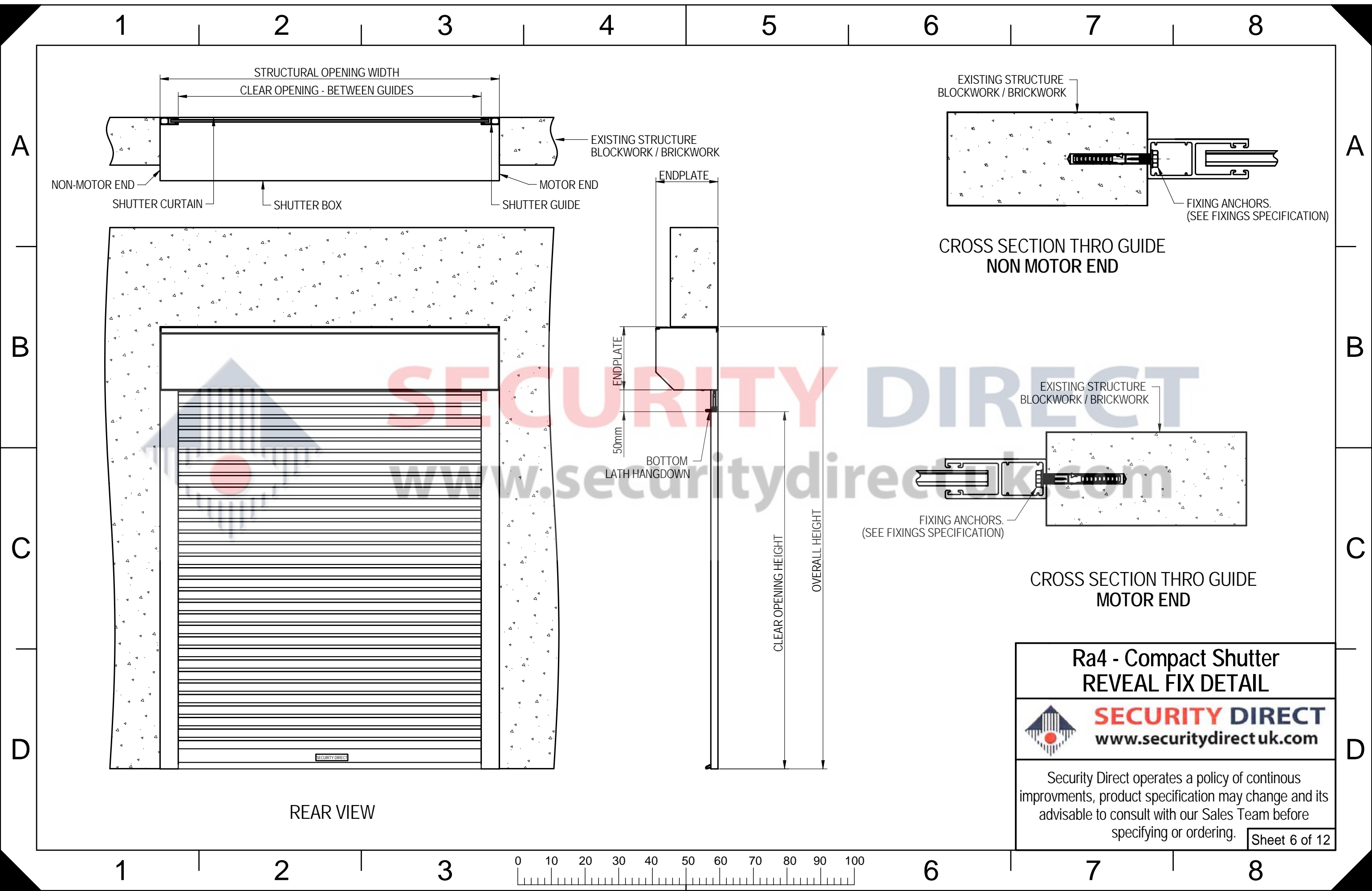
www.securitydirectuk.com

**Ra4 - Compact Shutter
FACE FIX DETAIL**

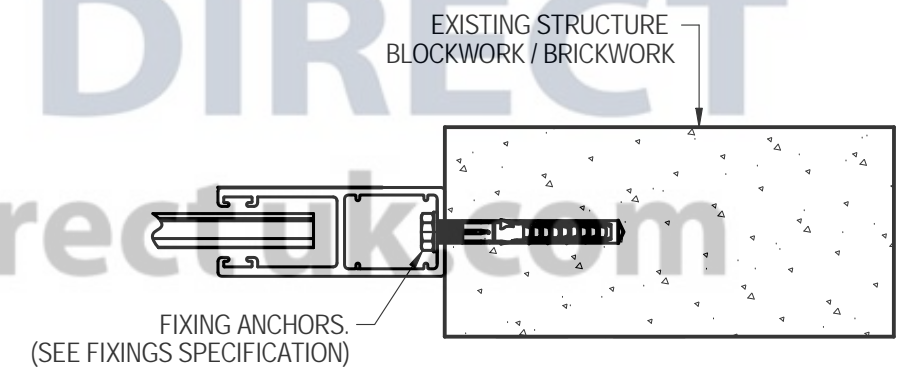
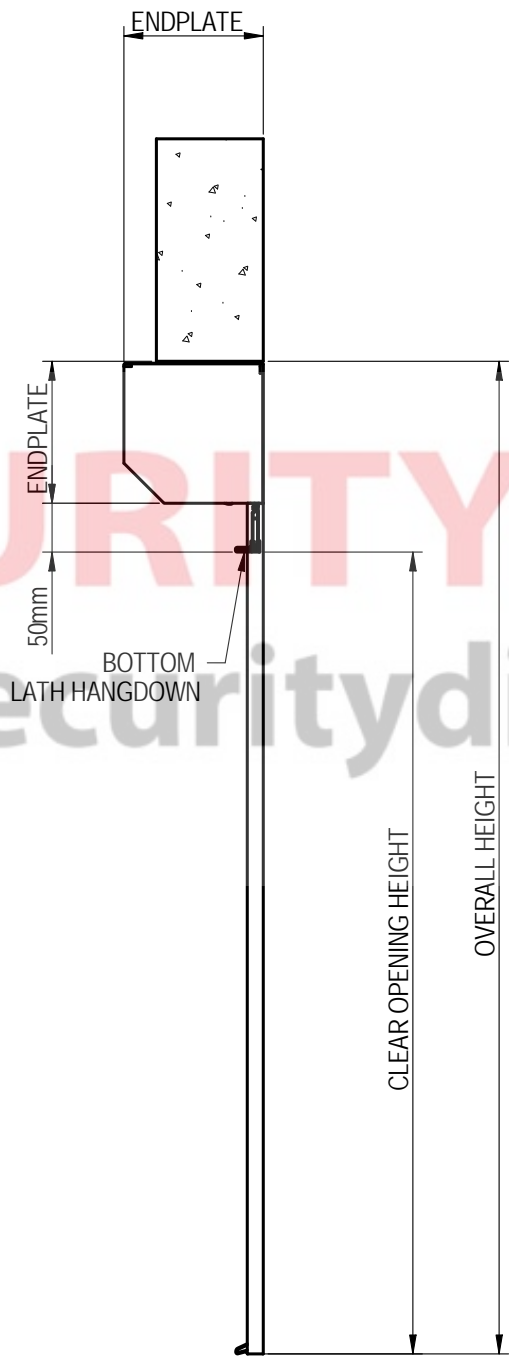
 **SECURITY DIRECT**
www.securitydirectuk.com

Security Direct operates a policy of continuous improvements, product specification may change and its advisable to consult with our Sales Team before specifying or ordering.

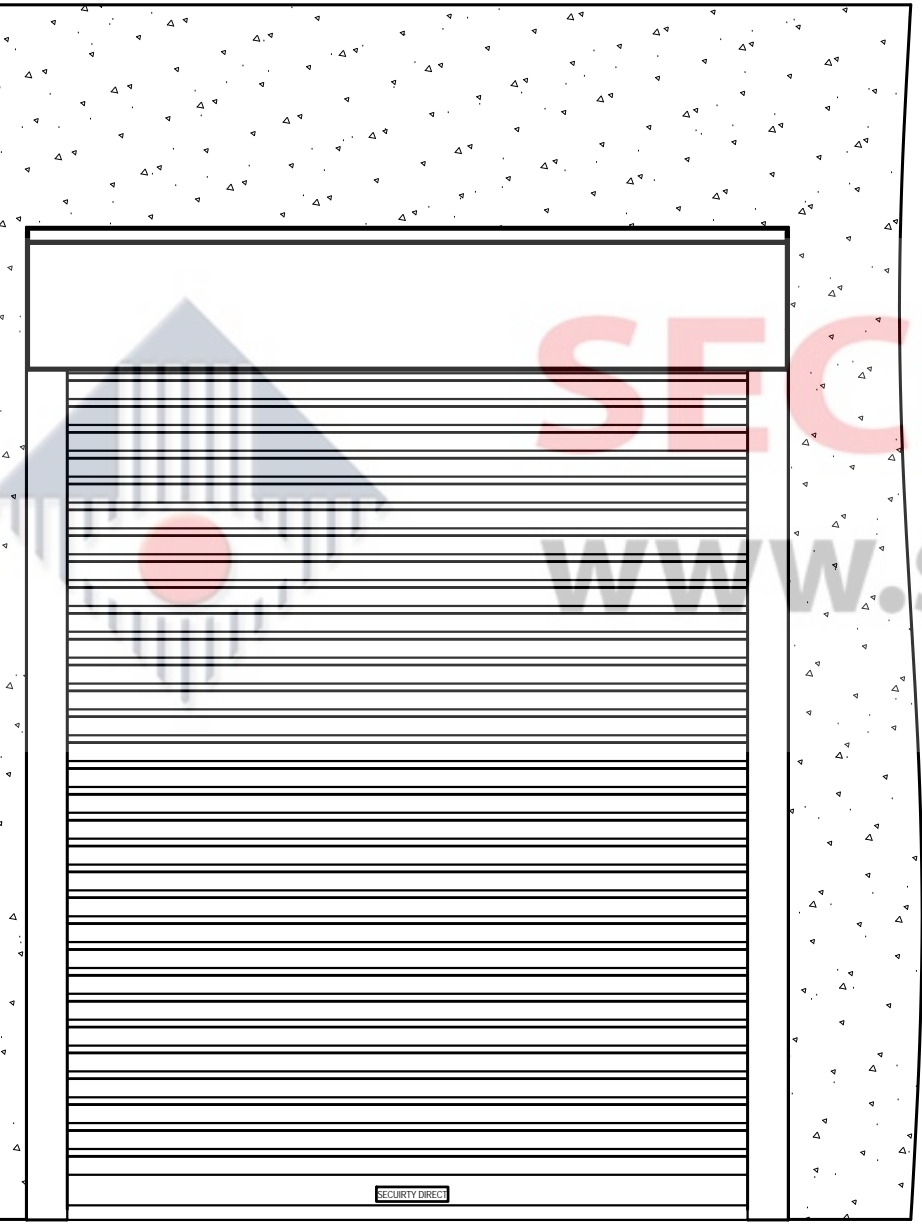
Sheet 5 of 12



CROSS SECTION THRO GUIDE NON MOTOR END



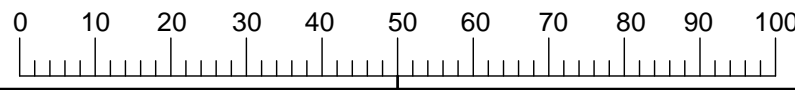
CROSS SECTION THRO GUIDE MOTOR END



Ra4 - Compact Shutter REVEAL FIX DETAIL



Security Direct operates a policy of continuous improvements, product specification may change and its advisable to consult with our Sales Team before specifying or ordering.



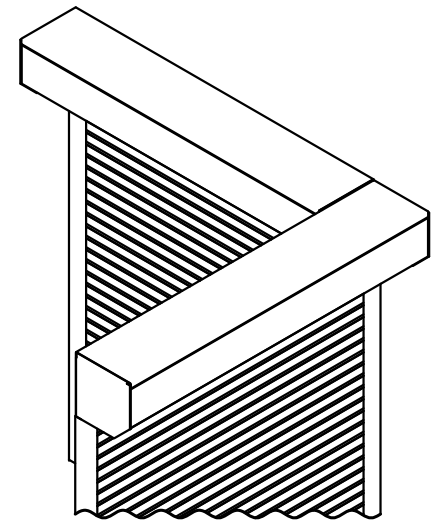
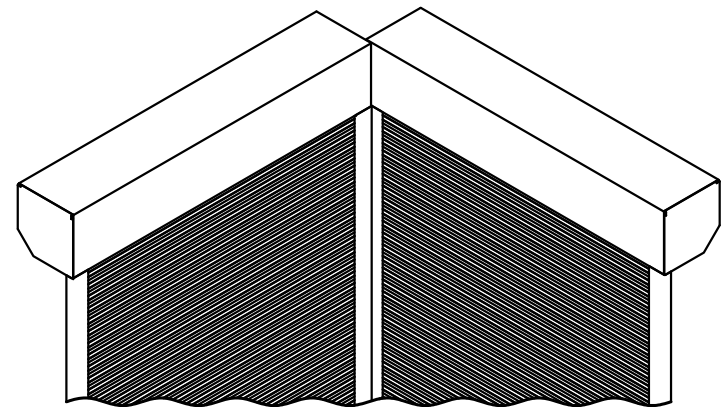
1 2 3 4 5 6 7 8

A

A

INSIDE

INSIDE



OPTION 1 :
BOTH BOXES POINT OUTWARDS

OPTION 2 :
ONE BOX POINT AND
THE OTHER POINTS OUTWARDS

B

B



SECURITY DIRECT
www.securitydirectuk.com

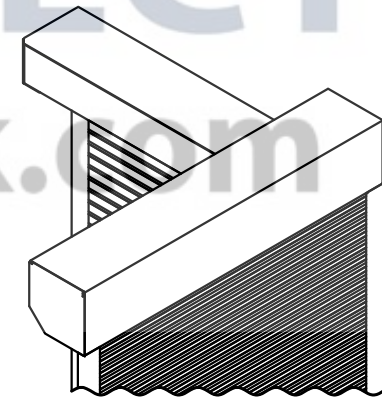
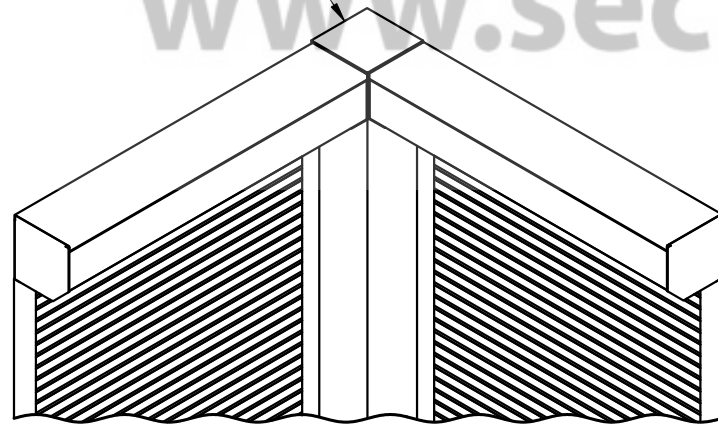
C

C

INSIDE

INSIDE

CORNER POST - SAME SIZE AS THE SHUTTER BOX

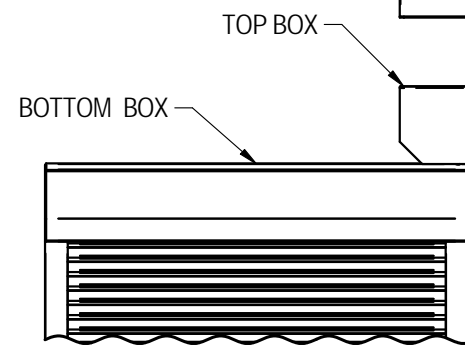


OPTION 3 :
BOTH BOXES POINT INWARDS -
NEED A CORNER POST THE
DEPTH OF THE SHUTTER BOX

OPTION 4 :
ONE BOX STEPPED ABOVE THE OTHER

D

D



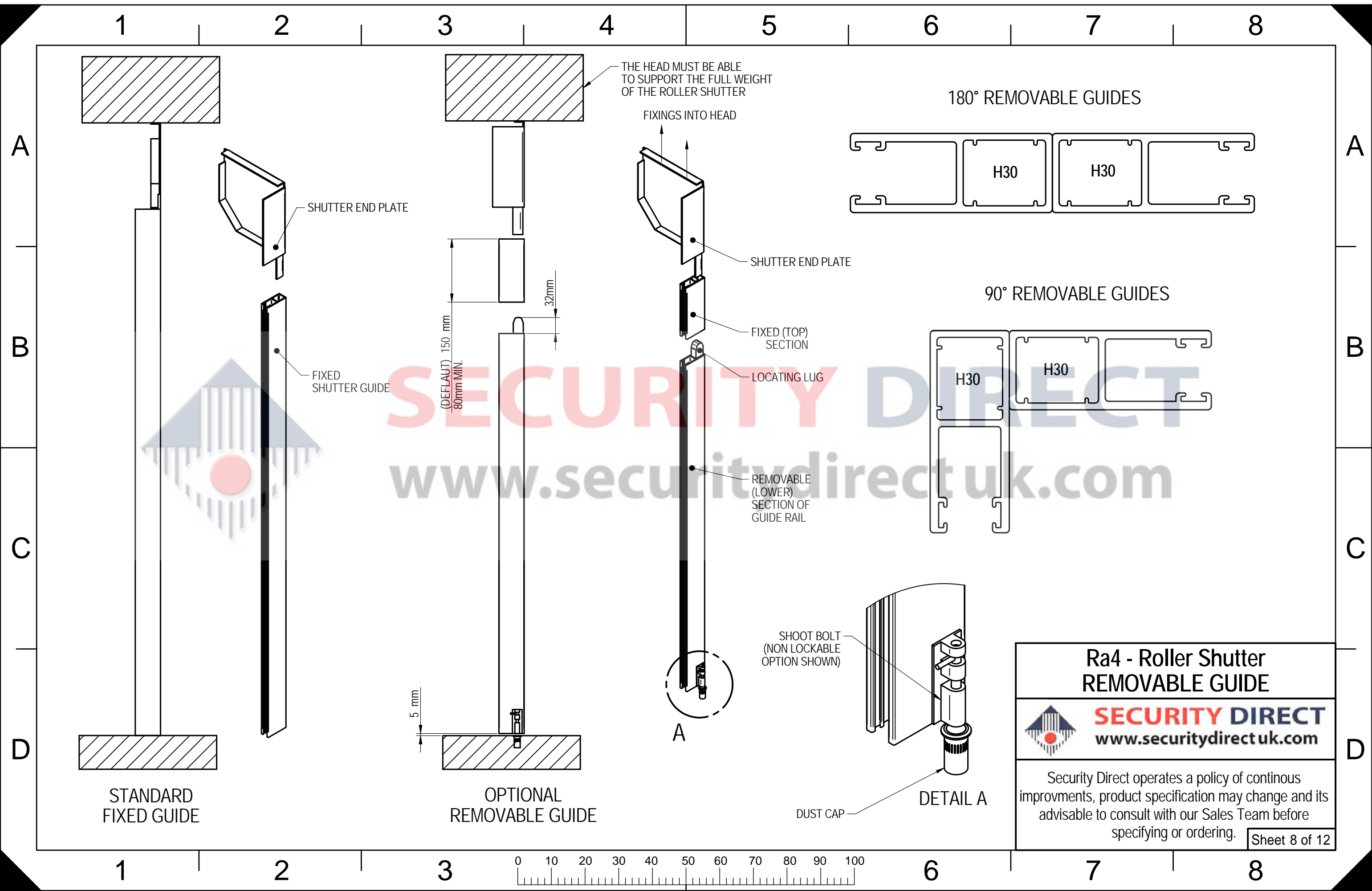
**Ra4 - Compact Shutter
CORNER FIXING DETAIL**



SECURITY DIRECT
www.securitydirectuk.com

Security Direct operates a policy of continuous improvements, product specification may change and its advisable to consult with our Sales Team before specifying or ordering.

1 2 3 0 10 20 30 40 50 60 70 80 90 100 6 7 8



**Ra4 - Roller Shutter
REMOVABLE GUIDE**

 **SECURITY DIRECT**
www.securitydirectuk.com

Security Direct operates a policy of continuous improvements, product specification may change and its advisable to consult with our Sales Team before specifying or ordering.

Sheet 8 of 12

MANUAL OVERRIDE FACILITY

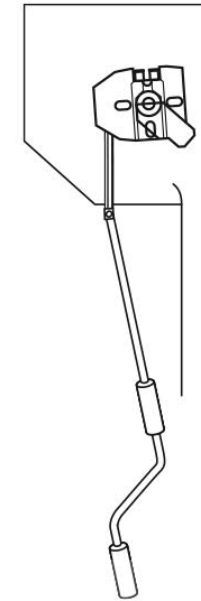
IF A MANUAL OVERRIDE IS REQUIRED FOR USE IN THE EVENT OF POWER FAILURE THIS MUST BE SPECIFIED AT THE TIME OF ORDERING.
 THERE IS A CHOICE OF TECHNICAL SOLUTIONS FOR THE HANDLE MECHANISM WHICH OPERATES THE OVERRIDE, PRINCIPALLY DEPENDENT UPON WHETHER THE SHUTTER IS INSTALLED INTERNALLY OR EXTERNALLY AND WHETHER THE OVERRIDE IS TO OPERATE FROM INSIDE OR OUTSIDE THE BUILDING.
 OVERRIDE LOCKS AND THE LOW LEVEL EXTERNAL OVERRIDE ARE AVAILABLE AT A SURCHARGE.
 ALL SPECIFICATIONS REFER TO A 205mm BOX OR LARGER.
 WHEN A SHUTTER IS INSTALLED OVER AN EXIT WHICH WOULD BE THE ONLY MEANS OF AN ESCAPE IN AN EMERGENCY, IT IS A LEGAL REQUIREMENT TO INSTALL AN OVERRIDE ON THE INSIDE.
 THE LATEST GENERATION OF LOW LEVEL EXTERNAL OVERRIDES CAN NOW BE OPERATED FROM BOTH THE INSIDE AND OUTSIDE TO SATISFY THIS LEGAL REQUIREMENT.

USE OF MANUAL OVERRIDE SHUTTERS:

CLEAR INSTRUCTION MUST BE GIVEN TO USERS ON THE MANUAL OVERRIDE WINDING DIRECTION TO RAISE THE SHUTTER. WINDING THE SHUTTER DOWNWARDS BEYOND THE NORMAL STOP POINT WILL DAMAGE THE SHUTTER.

INTERNALLY FITTED SHUTTER WITH EXTERNAL OVERRIDE

A REMOVABLE 45° JOINT CRANK HANDLE IS INSERTED INTO THE MOTOR. THE EXIT HOLE IS FILLED WITH AN 18MM COVER CAP OR LOCKABLE OVERRIDE COVER. ONLY AVAILABLE ON SHUTTER BOX EXIT 'F' OR 'E' FOR 205mm BOX OR BIGGER.



45° CRANK



A LOCKABLE COVERPLATE OPTION.

INTERNALLY FITTED SHUTTER WITH EXTERNAL OVERRIDE



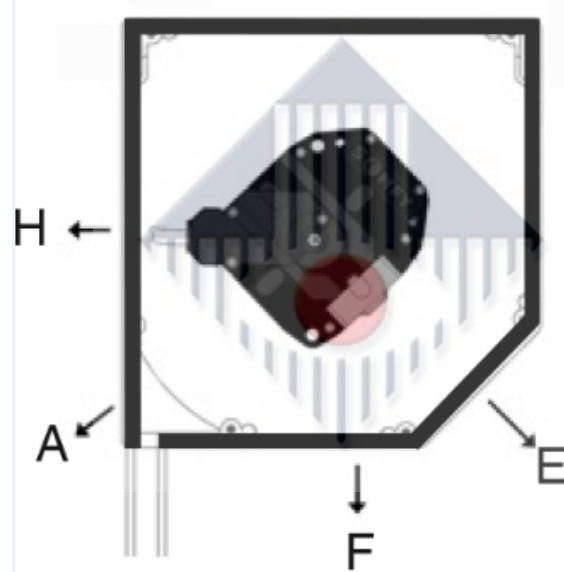
WINDING HANDLE

DROP EYE JOINT

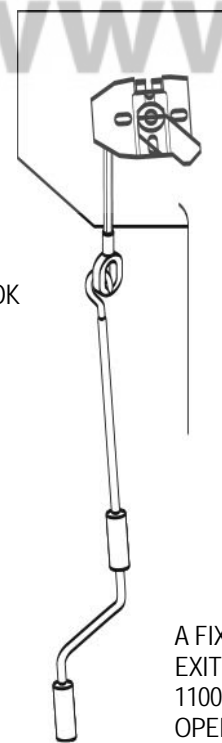


THE LOW LEVEL EXTERNAL OVERRIDE (EXIT F) IS OPERATED BY UNLOCKING THE OVERRIDE COVER PLATE AND INSERTING THE WINDING HANDLE.

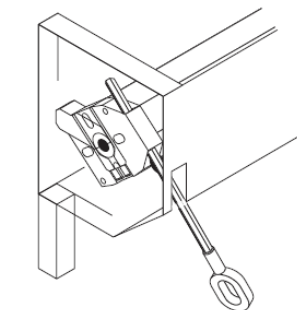
EXIT POINTS



INTERNALLY FITTED SHUTTER WITH INTERNAL OVERRIDE



RIGID EYE JOINT



OVERRIDE CROOK



A FIXED EYE CAN BE SUPPLIED AT SHUTTER BOX EXIT 'F' WITH A REMOVABLE HOOKED HANDLE OF 1100MM AS STANDARD - SEE SECTION ON CRANK OPERATION (PAGE 9) FOR DETAIL. ALTERNATIVELY A FIXED 45° JOINT CRANK HANDLE CAN BE SUPPLIED AT BOX EXIT 'E' OR 'F'

NOT ALL EXIT OPTIONS WILL BE POSSIBLE ON CERTAIN SHUTTERS.

**Ra4 - Rolling Shutter
MANUAL OVERRIDE**



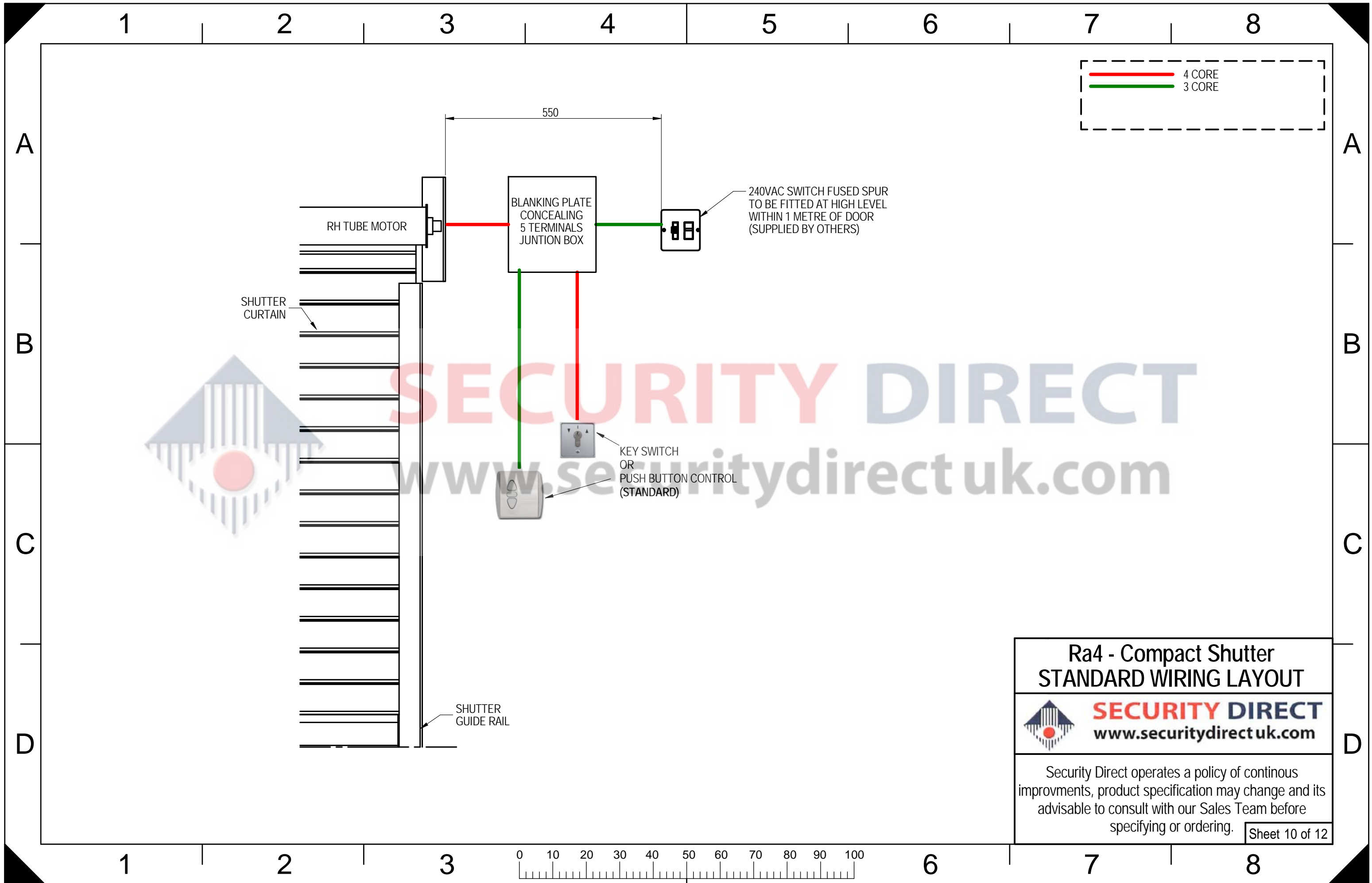
SECURITY DIRECT
www.securitydirectuk.com

Security Direct operates a policy of continuous improvements, product specification may change and its advisable to consult with our Sales Team before specifying or ordering.

Sheet 9 of 12

SECURITY DIRECT

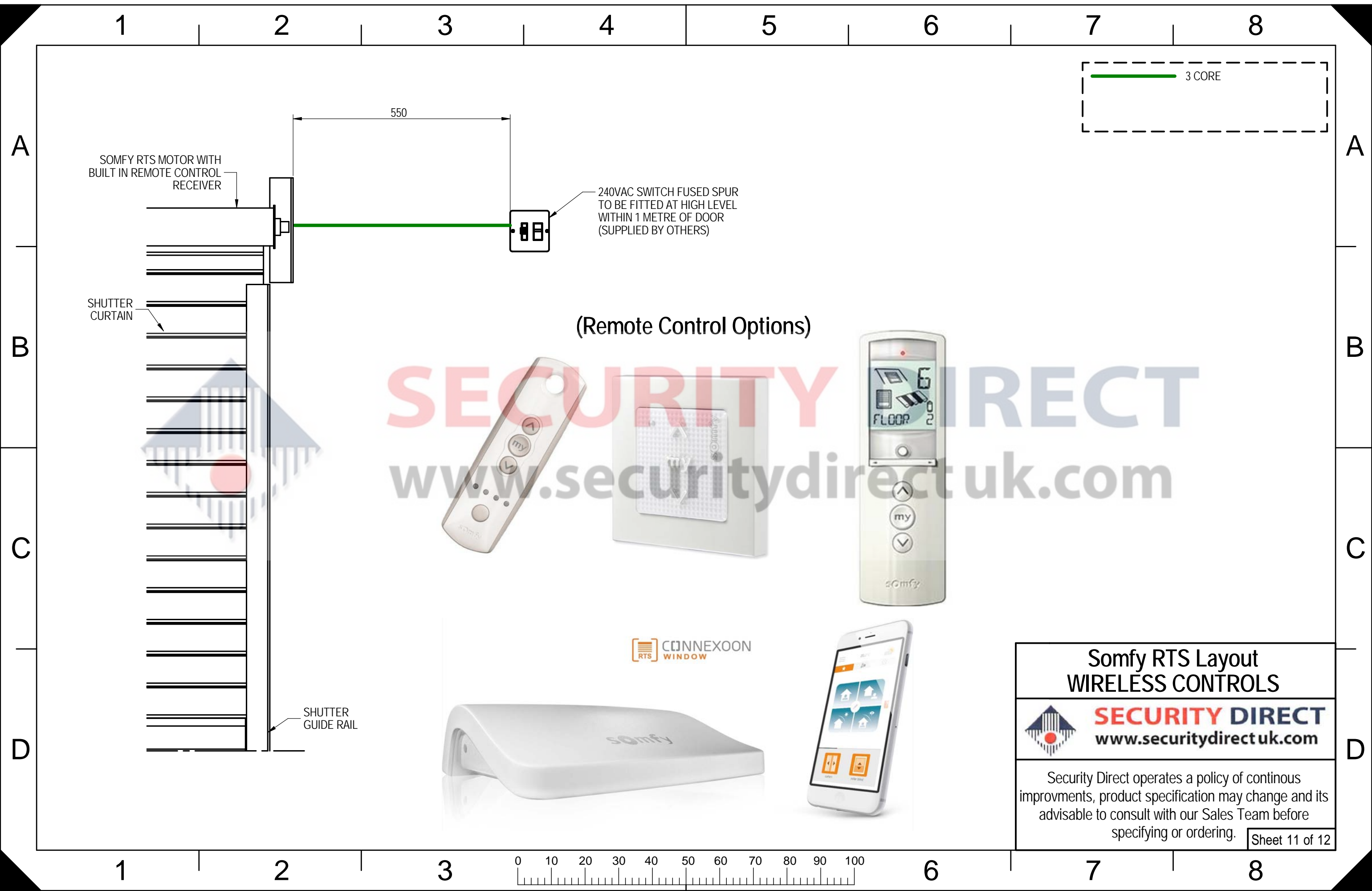
www.securitydirectuk.com



**Ra4 - Compact Shutter
STANDARD WIRING LAYOUT**



Security Direct operates a policy of continuous improvements, product specification may change and its advisable to consult with our Sales Team before specifying or ordering.

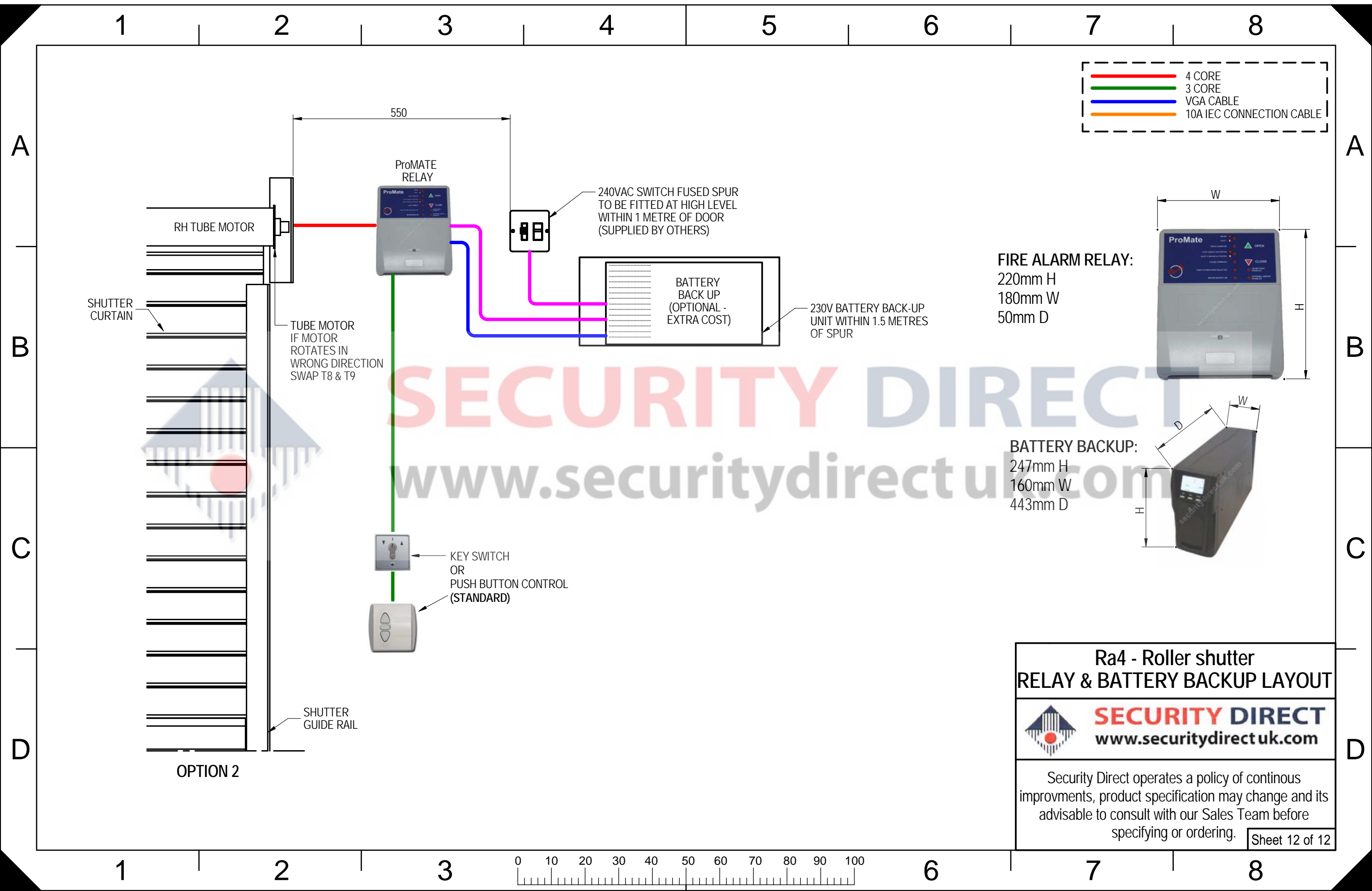


**Somfy RTS Layout
WIRELESS CONTROLS**

 **SECURITY DIRECT**
www.securitydirectuk.com

Security Direct operates a policy of continuous improvements, product specification may change and its advisable to consult with our Sales Team before specifying or ordering.

Sheet 11 of 12



SECURITY DIRECT
www.securitydirectuk.com

**Ra4 - Roller shutter
RELAY & BATTERY BACKUP LAYOUT**



Security Direct operates a policy of continuous improvements, product specification may change and its advisable to consult with our Sales Team before specifying or ordering.