

1 2 3 4 5 6 7 8

A

B

C

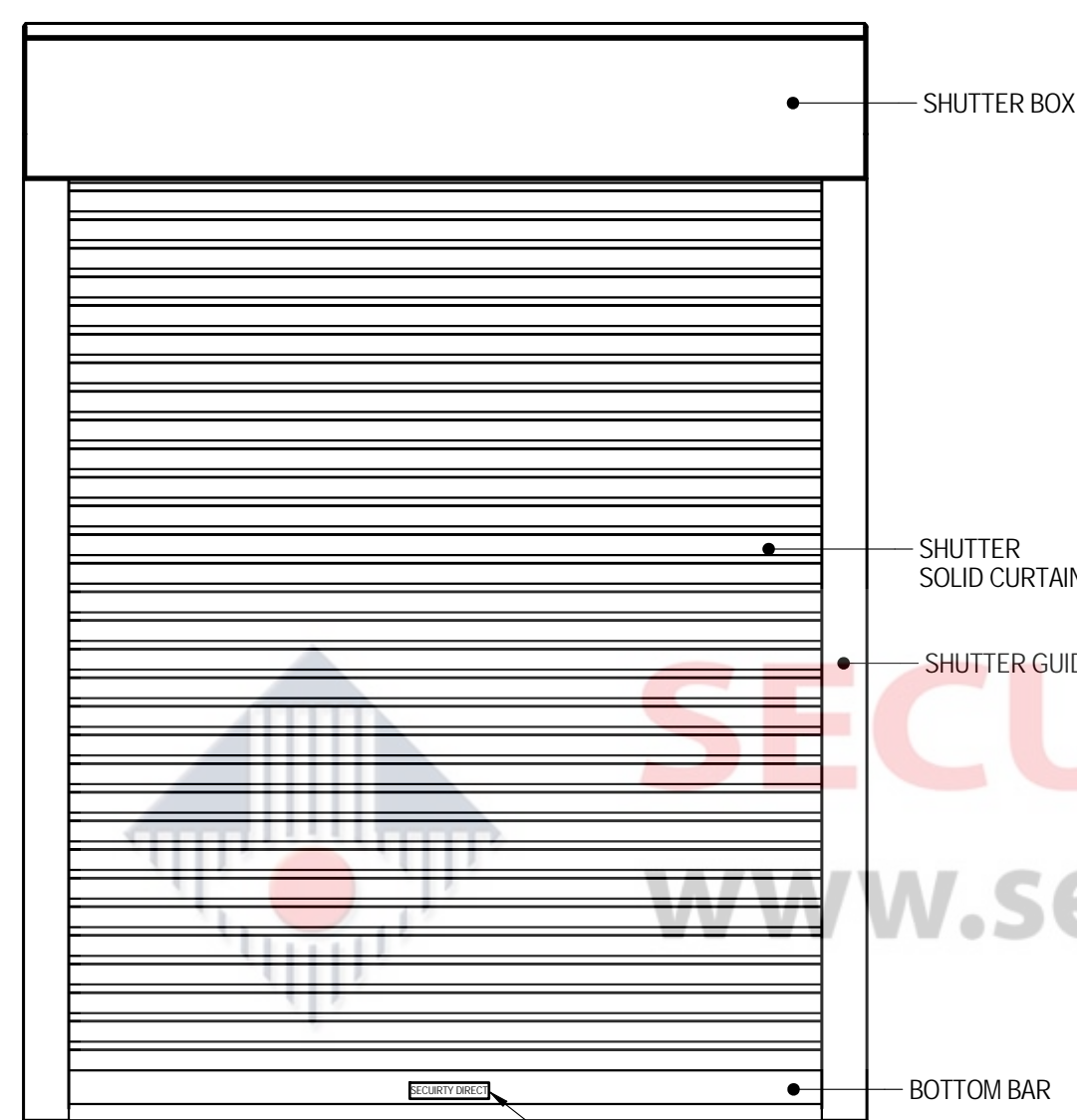
D

A

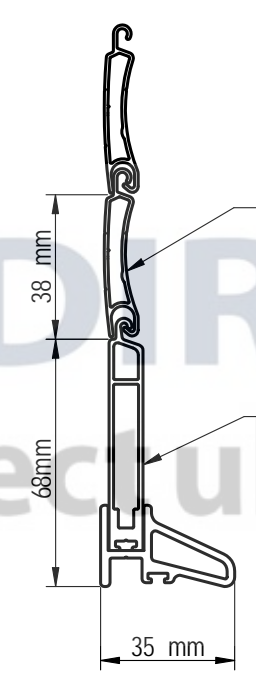
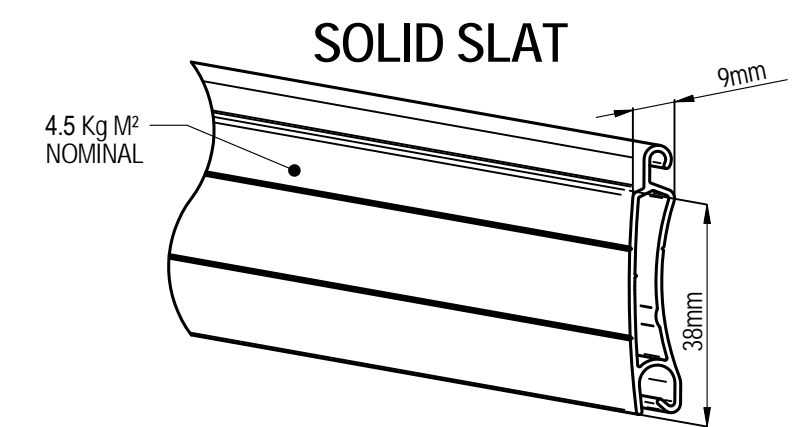
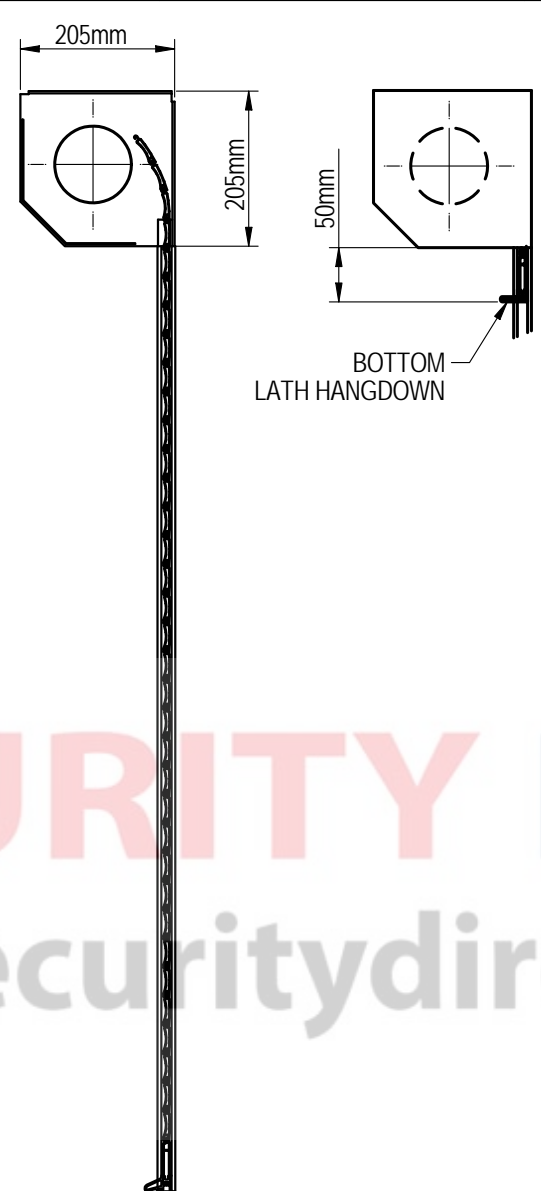
B

C

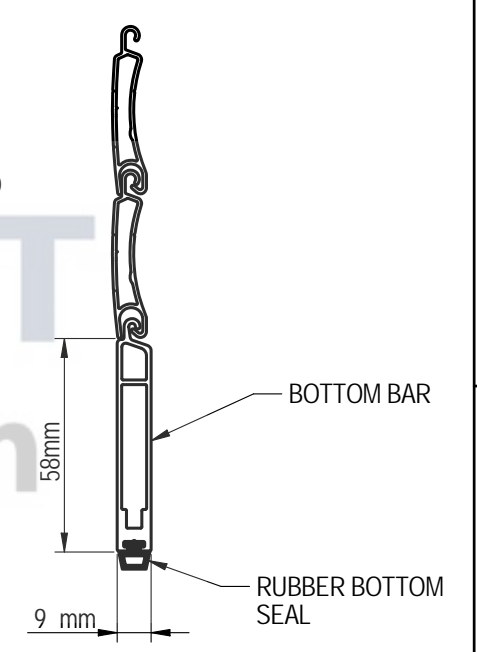
D



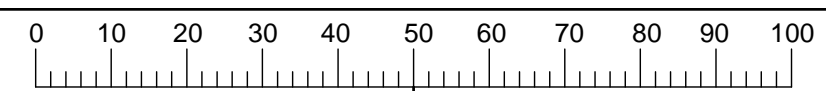
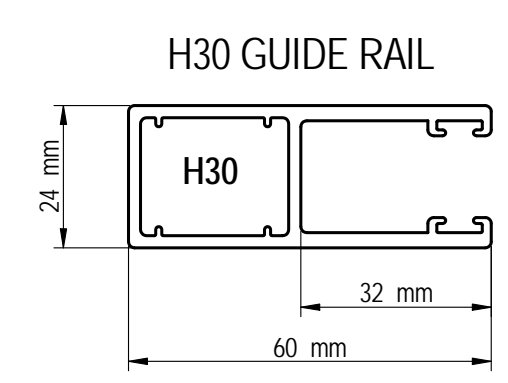
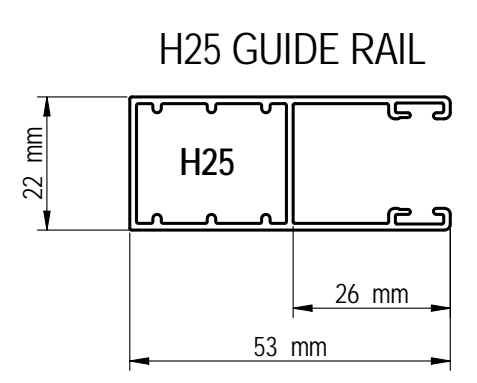
PRODUCT NAMEPLATE



(OPTIONAL BOTTOM RAIL)



(RUBBER SEAL STANDARD)

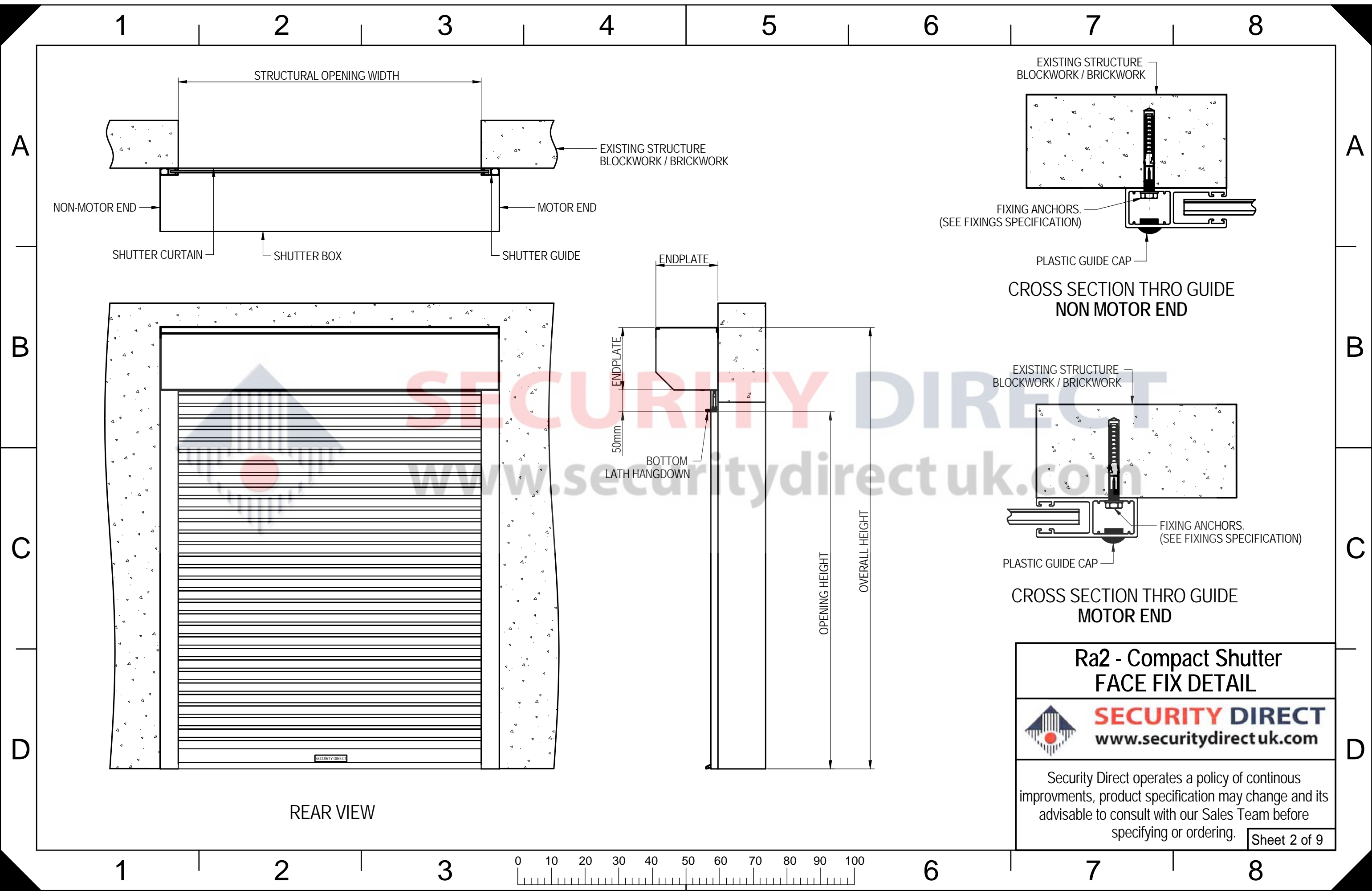


Ra2 - Compact Aluminium GENERAL ARRANGEMENT



Security Direct operates a policy of continuous improvements, product specification may change and its advisable to consult with our Sales Team before specifying or ordering.

1 2 3 6 7 8

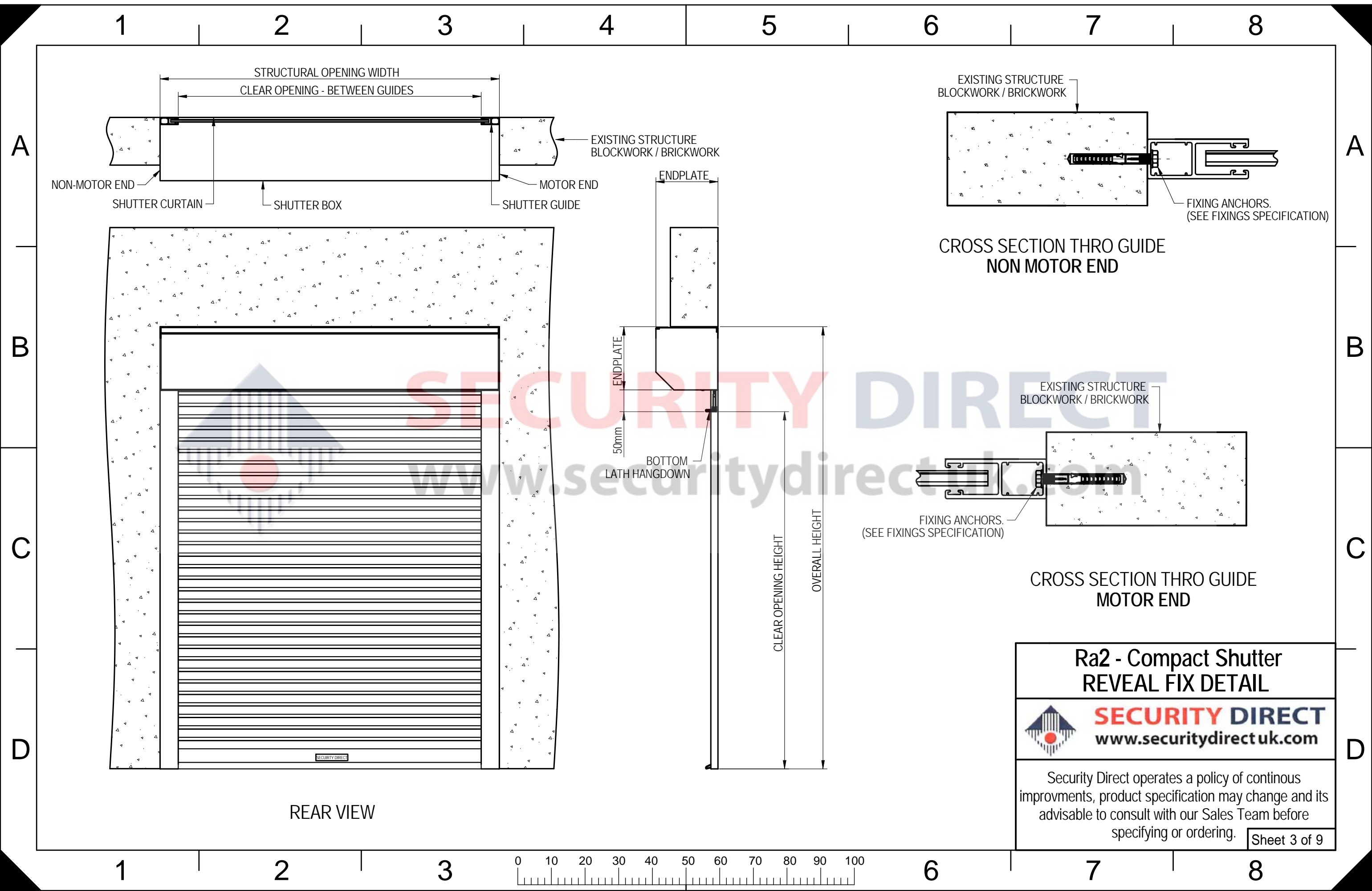


**Ra2 - Compact Shutter
FACE FIX DETAIL**

 **SECURITY DIRECT**
www.securitydirectuk.com

Security Direct operates a policy of continuous improvements, product specification may change and its advisable to consult with our Sales Team before specifying or ordering.

Sheet 2 of 9



**Ra2 - Compact Shutter
REVEAL FIX DETAIL**

 **SECURITY DIRECT**
www.securitydirectuk.com

Security Direct operates a policy of continuous improvements, product specification may change and its advisable to consult with our Sales Team before specifying or ordering.

Sheet 3 of 9

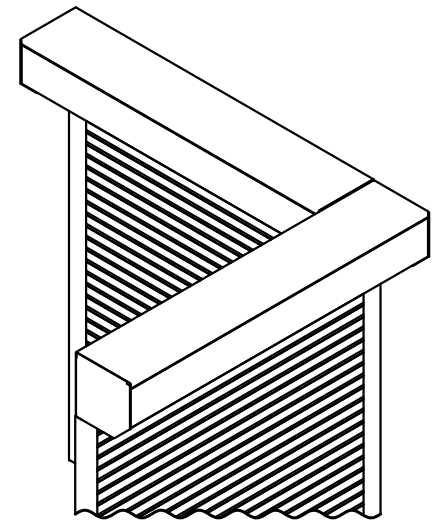
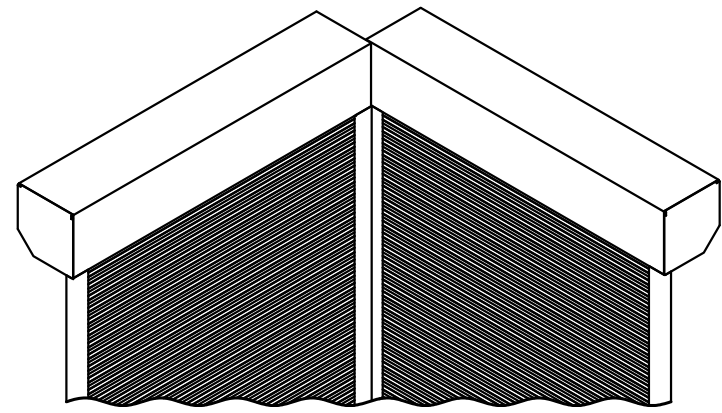
1 2 3 4 5 6 7 8

A

A

INSIDE

INSIDE



OPTION 1 :
BOTH BOXES POINT OUTWARDS

OPTION 2 :
ONE BOX POINT AND
THE OTHER POINTS OUTWARDS

B

B



SECURITY DIRECT
www.securitydirectuk.com

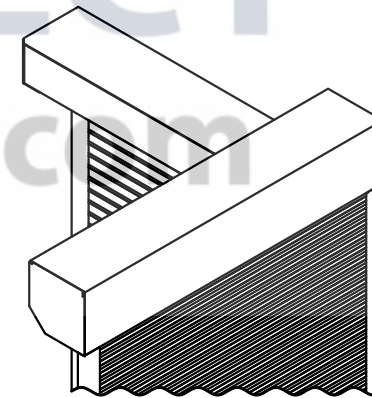
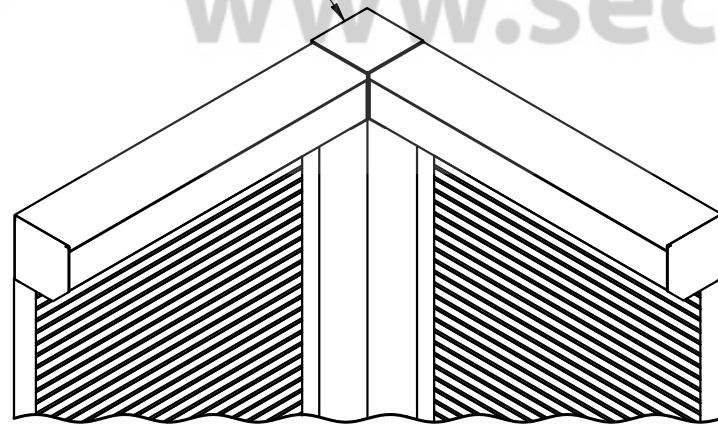
C

C

INSIDE

INSIDE

CORNER POST - SAME SIZE AS THE SHUTTER BOX

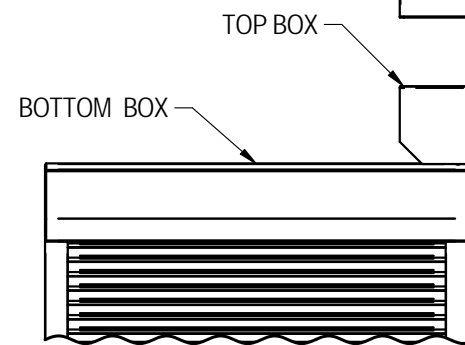


OPTION 3 :
BOTH BOXES POINT INWARDS -
NEED A CORNER POST THE
DEPTH OF THE SHUTTER BOX

OPTION 4 :
ONE BOX STEPPED ABOVE THE OTHER

D

D



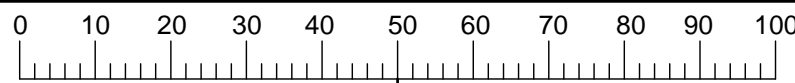
**Ra2 - Compact Shutter
CORNER FIXING DETAIL**

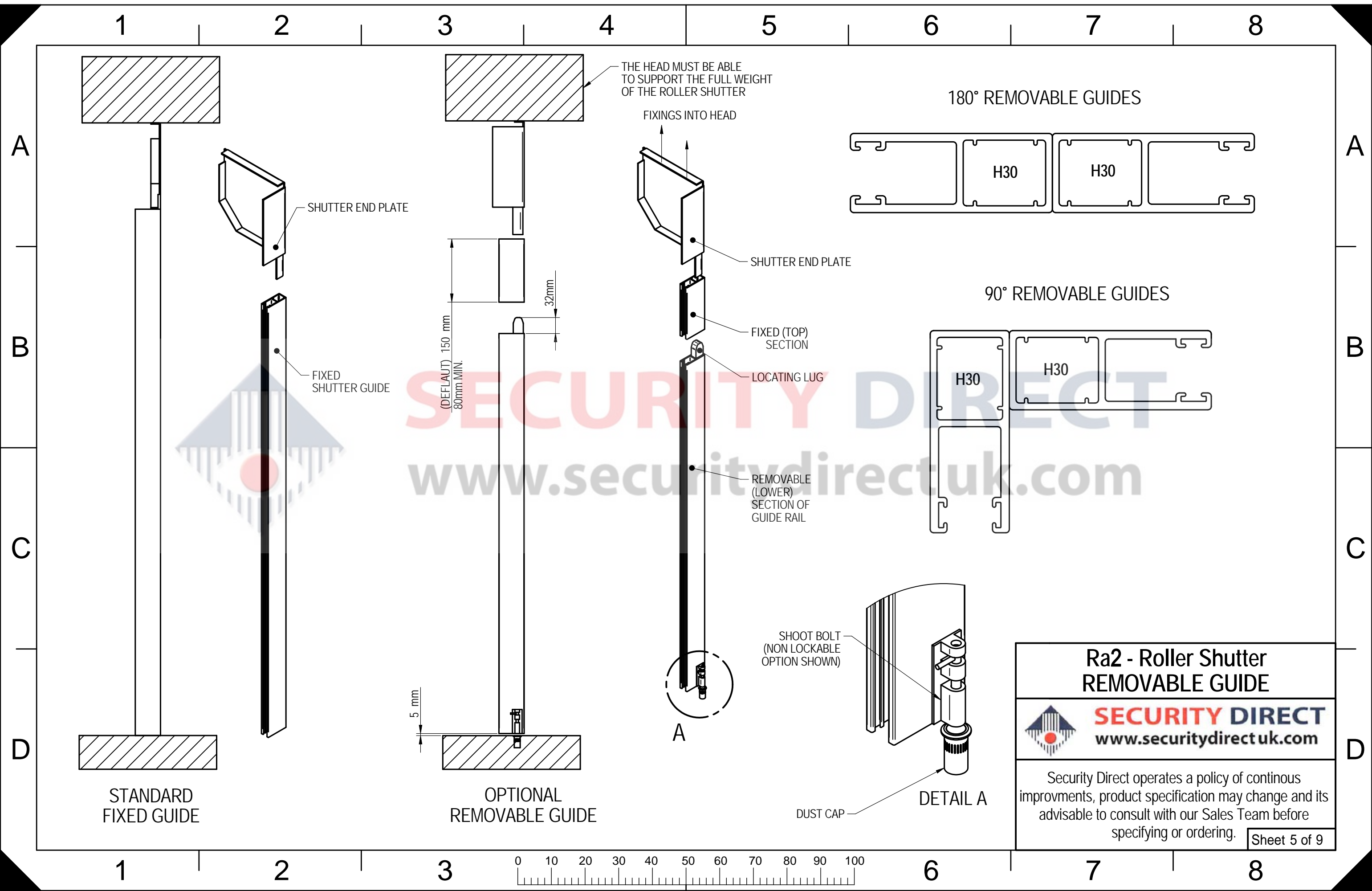


SECURITY DIRECT
www.securitydirectuk.com

Security Direct operates a policy of continuous improvements, product specification may change and its advisable to consult with our Sales Team before specifying or ordering.

1 2 3 4 5 6 7 8





SECURITY DIRECT
www.securitydirectuk.com

**Ra2 - Roller Shutter
REMOVABLE GUIDE**

SECURITY DIRECT
www.securitydirectuk.com

Security Direct operates a policy of continuous improvements, product specification may change and its advisable to consult with our Sales Team before specifying or ordering.

Sheet 5 of 9

MANUAL OVERRIDE FACILITY

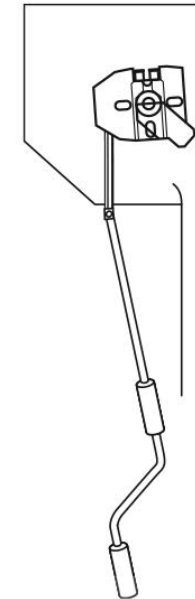
IF A MANUAL OVERRIDE IS REQUIRED FOR USE IN THE EVENT OF POWER FAILURE THIS MUST BE SPECIFIED AT THE TIME OF ORDERING. THERE IS A CHOICE OF TECHNICAL SOLUTIONS FOR THE HANDLE MECHANISM WHICH OPERATES THE OVERRIDE, PRINCIPALLY DEPENDENT UPON WHETHER THE SHUTTER IS INSTALLED INTERNALLY OR EXTERNALLY AND WHETHER THE OVERRIDE IS TO OPERATE FROM INSIDE OR OUTSIDE THE BUILDING. OVERRIDE LOCKS AND THE LOW LEVEL EXTERNAL OVERRIDE ARE AVAILABLE AT A SURCHARGE. ALL SPECIFICATIONS REFER TO A 205mm BOX OR LARGER. WHEN A SHUTTER IS INSTALLED OVER AN EXIT WHICH WOULD BE THE ONLY MEANS OF AN ESCAPE IN AN EMERGENCY, IT IS A LEGAL REQUIREMENT TO INSTALL AN OVERRIDE ON THE INSIDE. THE LATEST GENERATION OF LOW LEVEL EXTERNAL OVERRIDES CAN NOW BE OPERATED FROM BOTH THE INSIDE AND OUTSIDE TO SATISFY THIS LEGAL REQUIREMENT.

USE OF MANUAL OVERRIDE SHUTTERS:

CLEAR INSTRUCTION MUST BE GIVEN TO USERS ON THE MANUAL OVERRIDE WINDING DIRECTION TO RAISE THE SHUTTER. WINDING THE SHUTTER DOWNWARDS BEYOND THE NORMAL STOP POINT WILL DAMAGE THE SHUTTER.

INTERNALLY FITTED SHUTTER WITH EXTERNAL OVERRIDE

A REMOVABLE 45° JOINT CRANK HANDLE IS INSERTED INTO THE MOTOR. THE EXIT HOLE IS FILLED WITH AN 18MM COVER CAP OR LOCKABLE OVERRIDE COVER. ONLY AVAILABLE ON SHUTTER BOX EXIT 'F' OR 'E' FOR 205mm BOX OR BIGGER.



45° CRANK



A LOCKABLE COVERPLATE OPTION.

INTERNALLY FITTED SHUTTER WITH EXTERNAL OVERRIDE



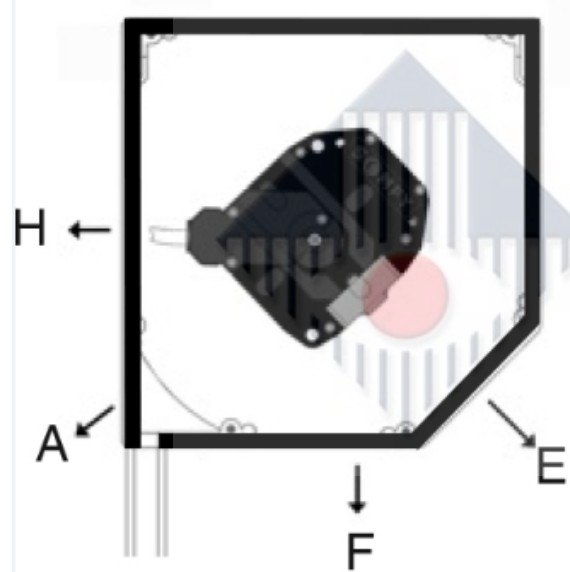
WINDING HANDLE



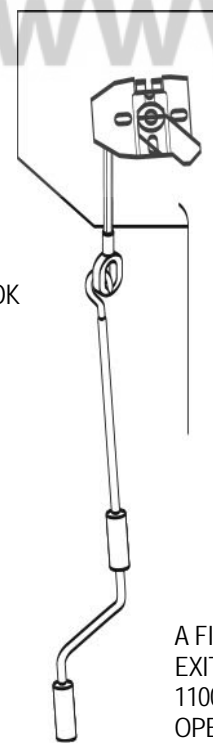
DROP EYE JOINT

THE LOW LEVEL EXTERNAL OVERRIDE (EXIT F) IS OPERATED BY UNLOCKING THE OVERRIDE COVER PLATE AND INSERTING THE WINDING HANDLE.

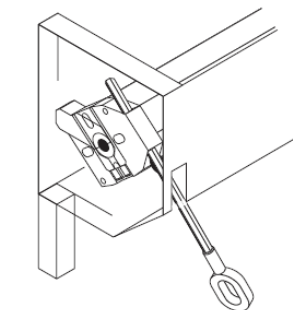
EXIT POINTS



INTERNALLY FITTED SHUTTER WITH INTERNAL OVERRIDE



RIGID EYE JOINT



OVERRIDE CROOK



A FIXED EYE CAN BE SUPPLIED AT SHUTTER BOX EXIT 'F' WITH A REMOVABLE HOOKED HANDLE OF 1100MM AS STANDARD - SEE SECTION ON CRANK OPERATION (PAGE 9) FOR DETAIL. ALTERNATIVELY A FIXED 45° JOINT CRANK HANDLE CAN BE SUPPLIED AT BOX EXIT 'E' OR 'F'

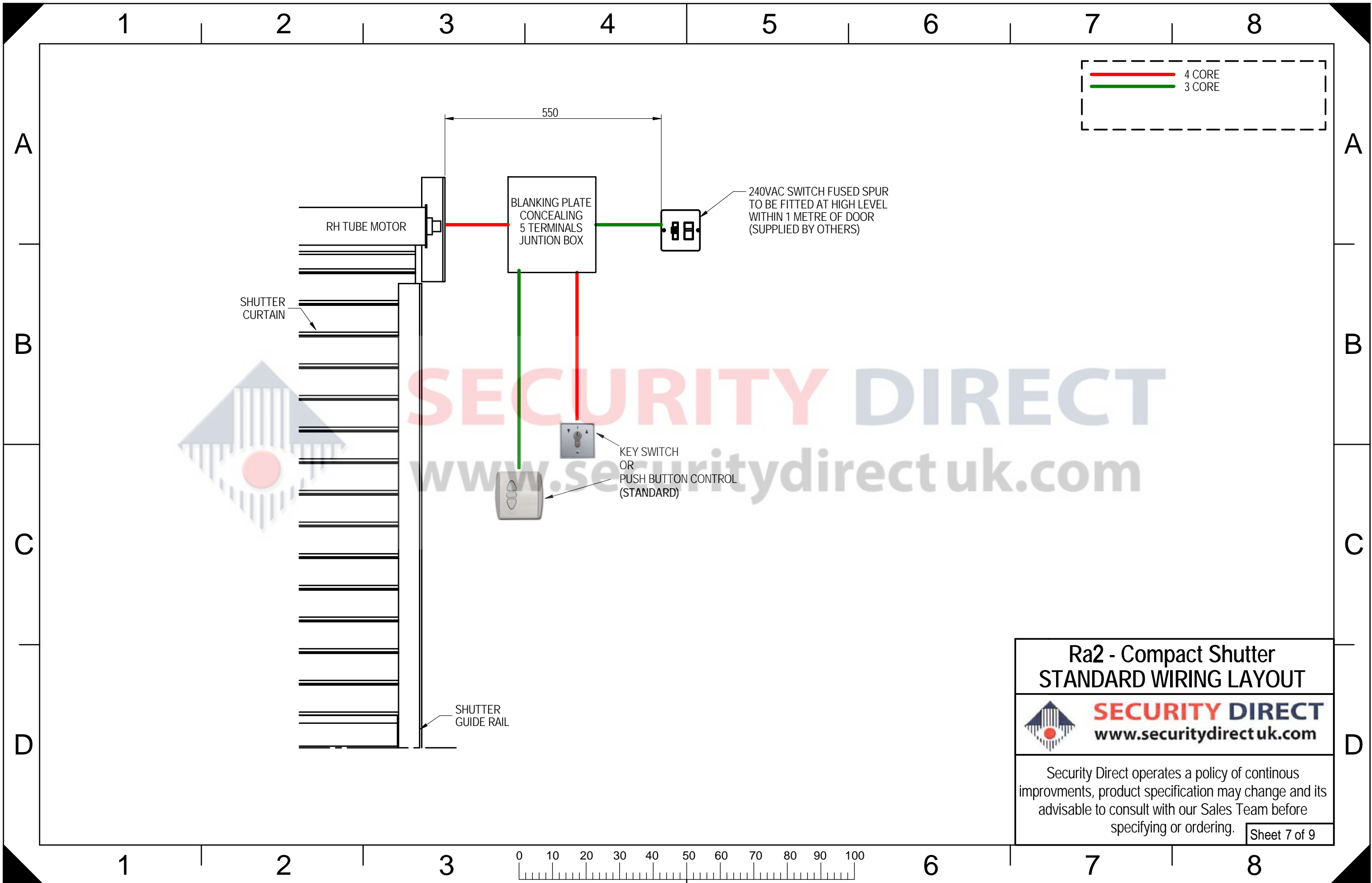
NOT ALL EXIT OPTIONS WILL BE POSSIBLE ON CERTAIN SHUTTERS.

Ra2- Rolling Shutter MANUAL OVERRIDE



SECURITY DIRECT
www.securitydirectuk.com

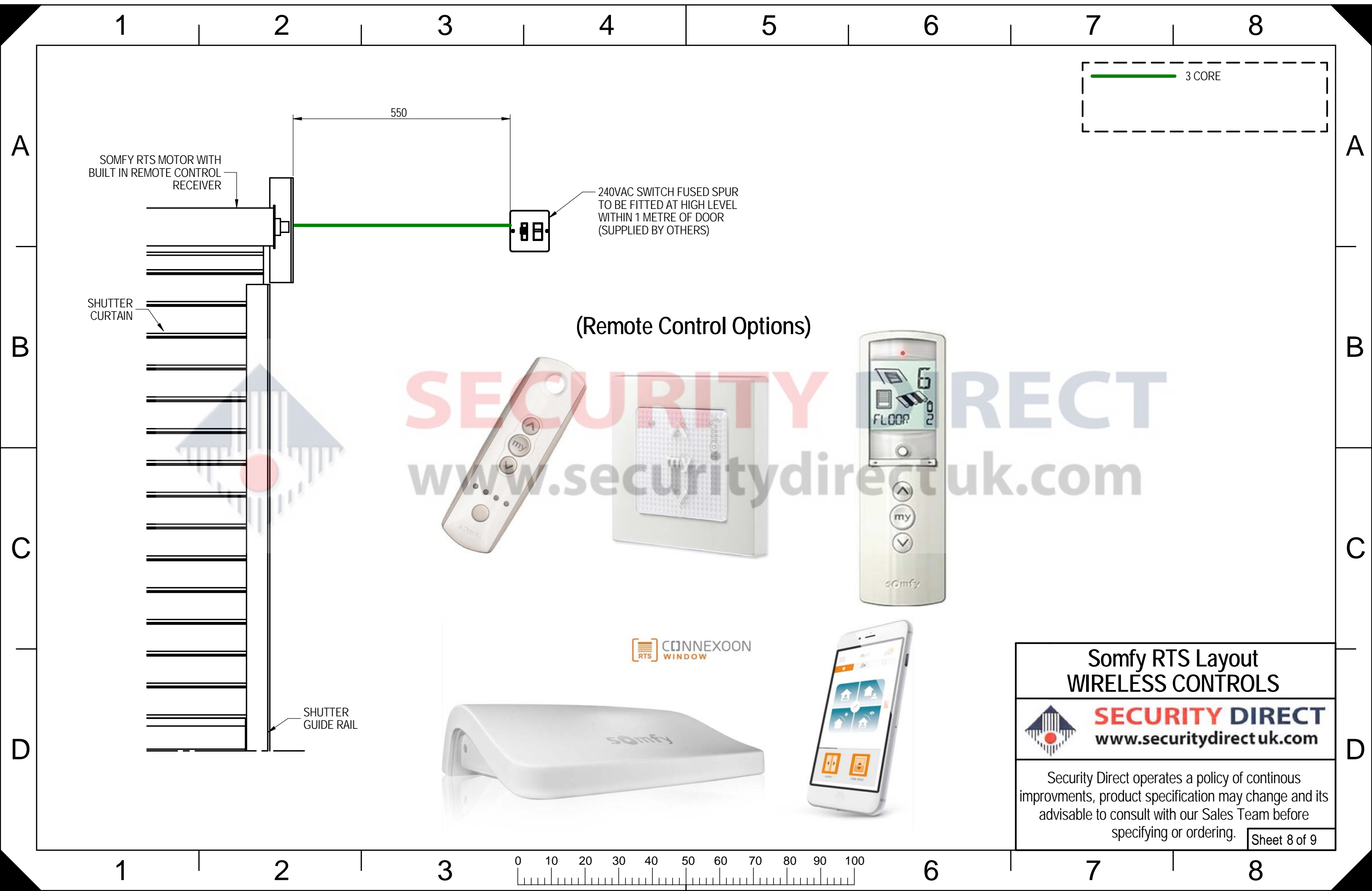
Security Direct operates a policy of continuous improvements, product specification may change and its advisable to consult with our Sales Team before specifying or ordering.



**Ra2 - Compact Shutter
STANDARD WIRING LAYOUT**



Security Direct operates a policy of continuous improvements, product specification may change and its advisable to consult with our Sales Team before specifying or ordering.



(Remote Control Options)

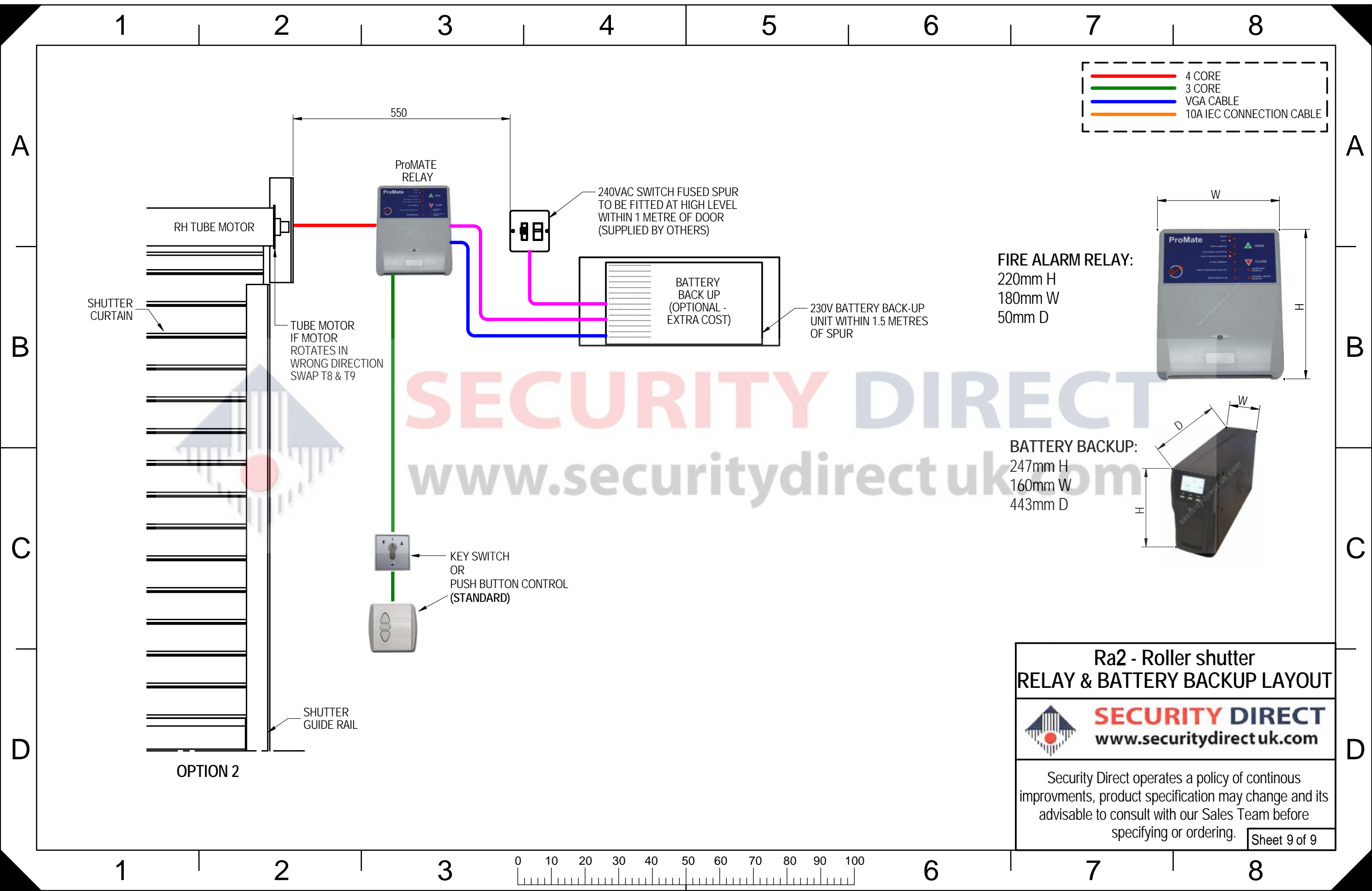


**Somfy RTS Layout
WIRELESS CONTROLS**

 **SECURITY DIRECT**
www.securitydirectuk.com

Security Direct operates a policy of continuous improvements, product specification may change and its advisable to consult with our Sales Team before specifying or ordering.

Sheet 8 of 9



- 4 CORE
- 3 CORE
- VGA CABLE
- 10A IEC CONNECTION CABLE

FIRE ALARM RELAY:
 220mm H
 180mm W
 50mm D



BATTERY BACKUP:
 247mm H
 160mm W
 443mm D



**Ra2 - Roller shutter
 RELAY & BATTERY BACKUP LAYOUT**



SECURITY DIRECT
www.securitydirectuk.com

Security Direct operates a policy of continuous improvements, product specification may change and its advisable to consult with our Sales Team before specifying or ordering.